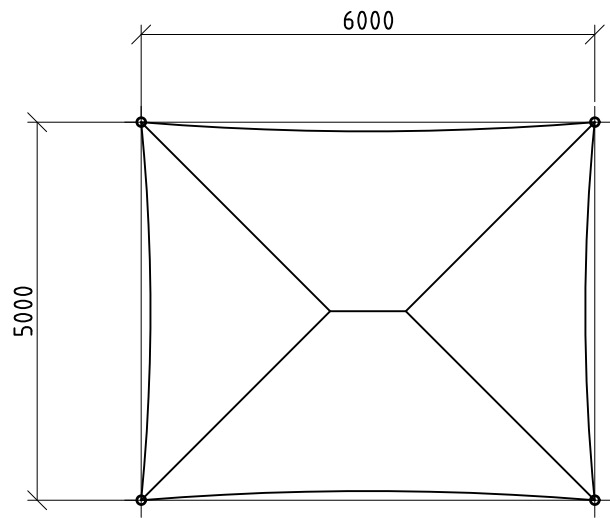
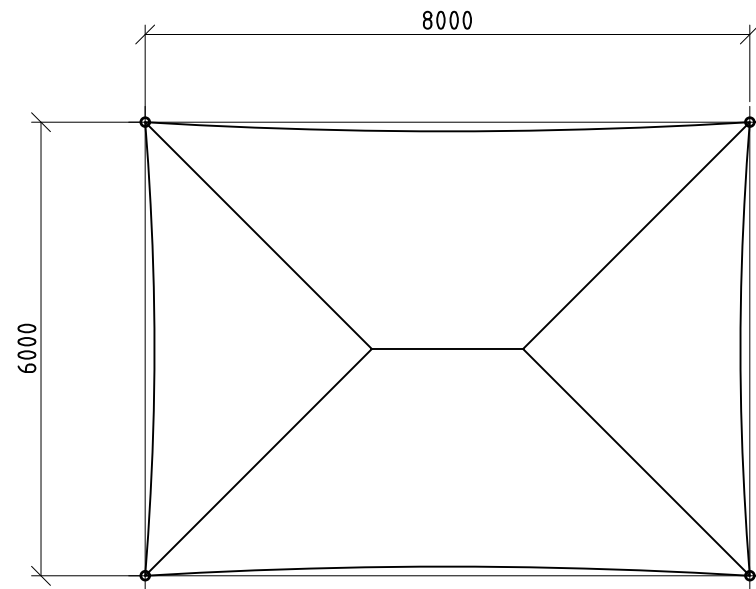


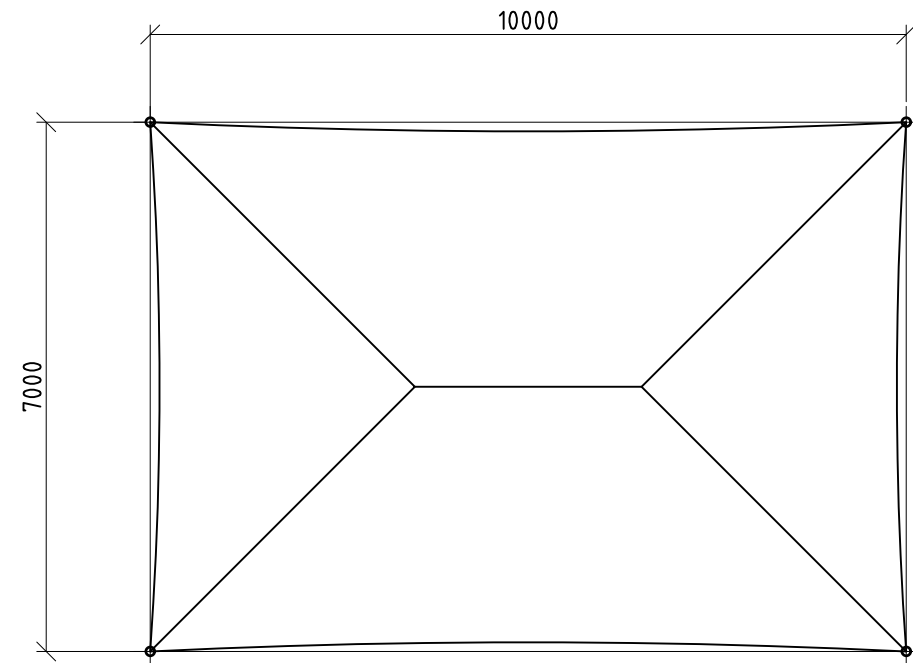
ALL DIMENSIONS IN MILLIMETRES - DO NOT SCALE



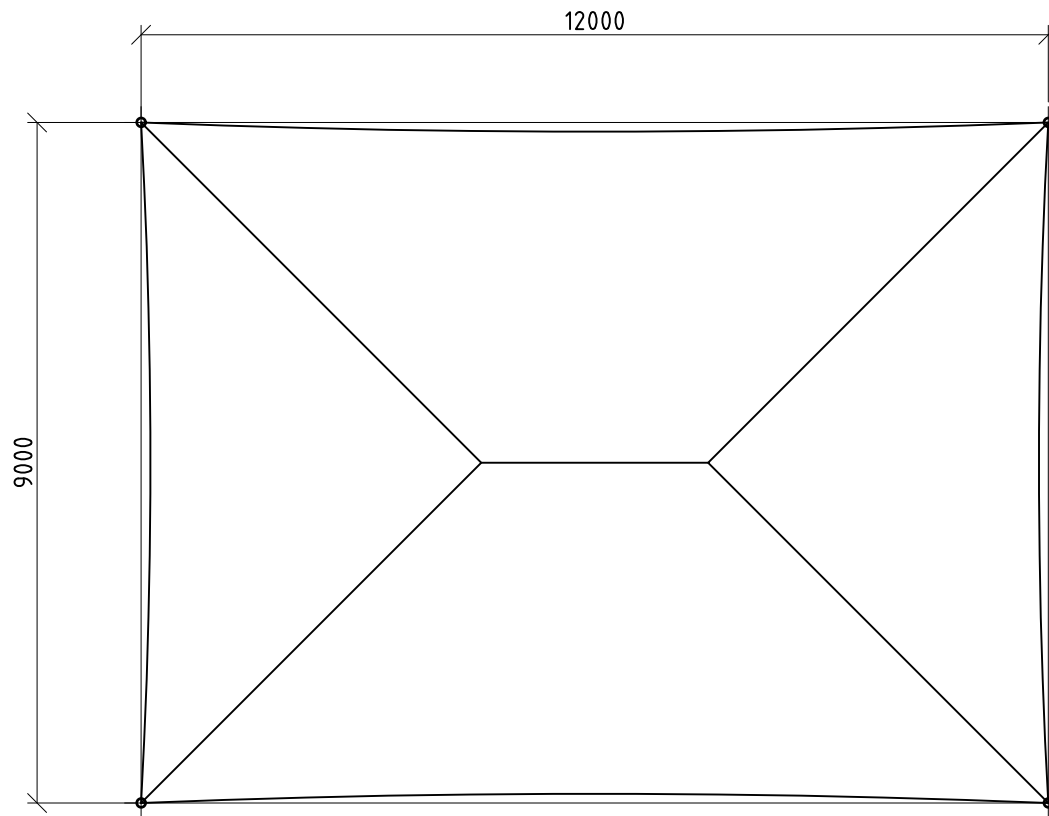
PLAN - 6m x 5m




PLAN - 8m x 6m



PLAN - 10m x 7m



PLAN - 12m x 9m

REVISION	DATE:	DRAWN BY:	© LANDMARK PRODUCTS PTY. LTD. THIS DOCUMENT IS AND SHALL REMAIN THE PROPERTY OF LANDMARK PRODUCTS LIMITED. UNAUTHORISED USE OF THIS DOCUMENT IN ANY FORM IS PROHIBITED.		CLIENT NAME	PROJECT No.	PAGE
6	-	-	 Landmark openspace structures & solutions Landmark Products Pty. Ltd. A.B.N. 99 112 000 843 PH: 1300 768 230 6/26 Flinders Parade, North Lakes, Queensland 4509 www.landmarkpro.com.au landmark@landmarkpro.com.au		LANDMARK PRODUCTS LTD	TBA	A3
5	-	-			PROJECT	DATE:	DRAWN
4	-	-			-	19.7.23	JSH
3	-	-			-	DRAWING No.	SCALE
2	-	-			CHECKED BY:	TBA	NTD
1	-	-			DATE:	SHEET No.	REV.
				004	0		
					DRAWING TITLE	HIP AND RIDGE SHADE SAIL THUMBNAILS	