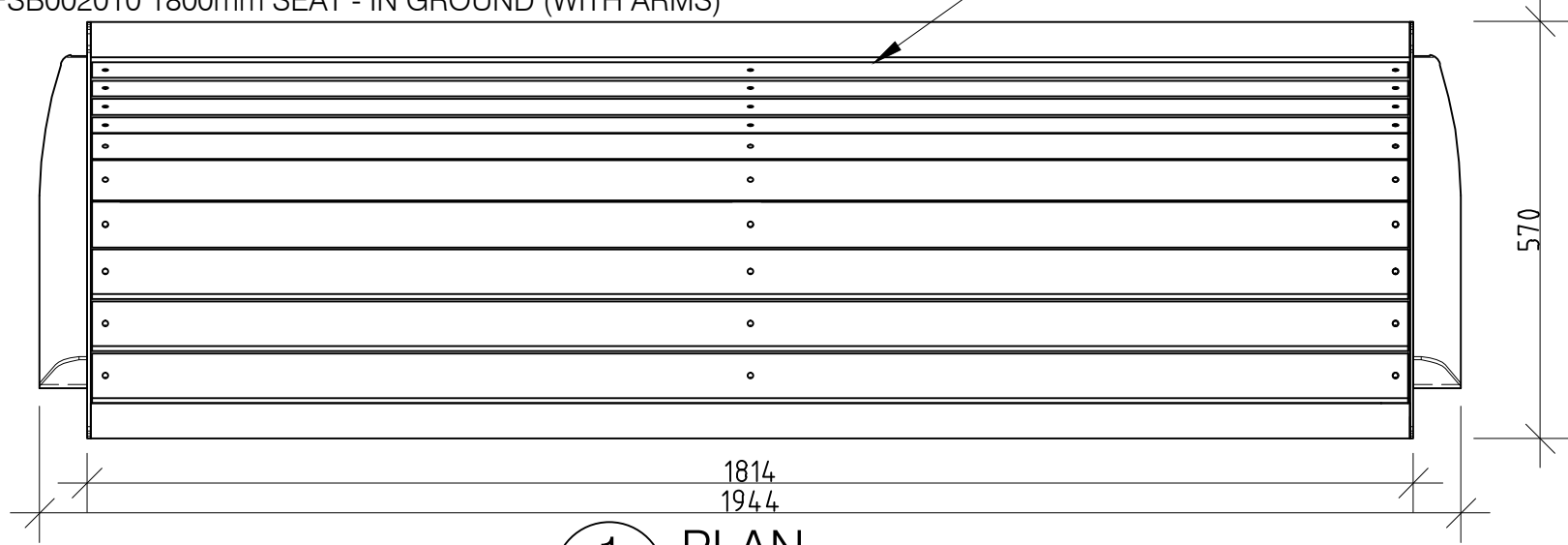


WOODGROVE SETTING SERIES

FFSB002010 1800mm SEAT - IN GROUND (WITH ARMS)

ALL DIMENSIONS IN MILLIMETRES - DO NOT SCALE

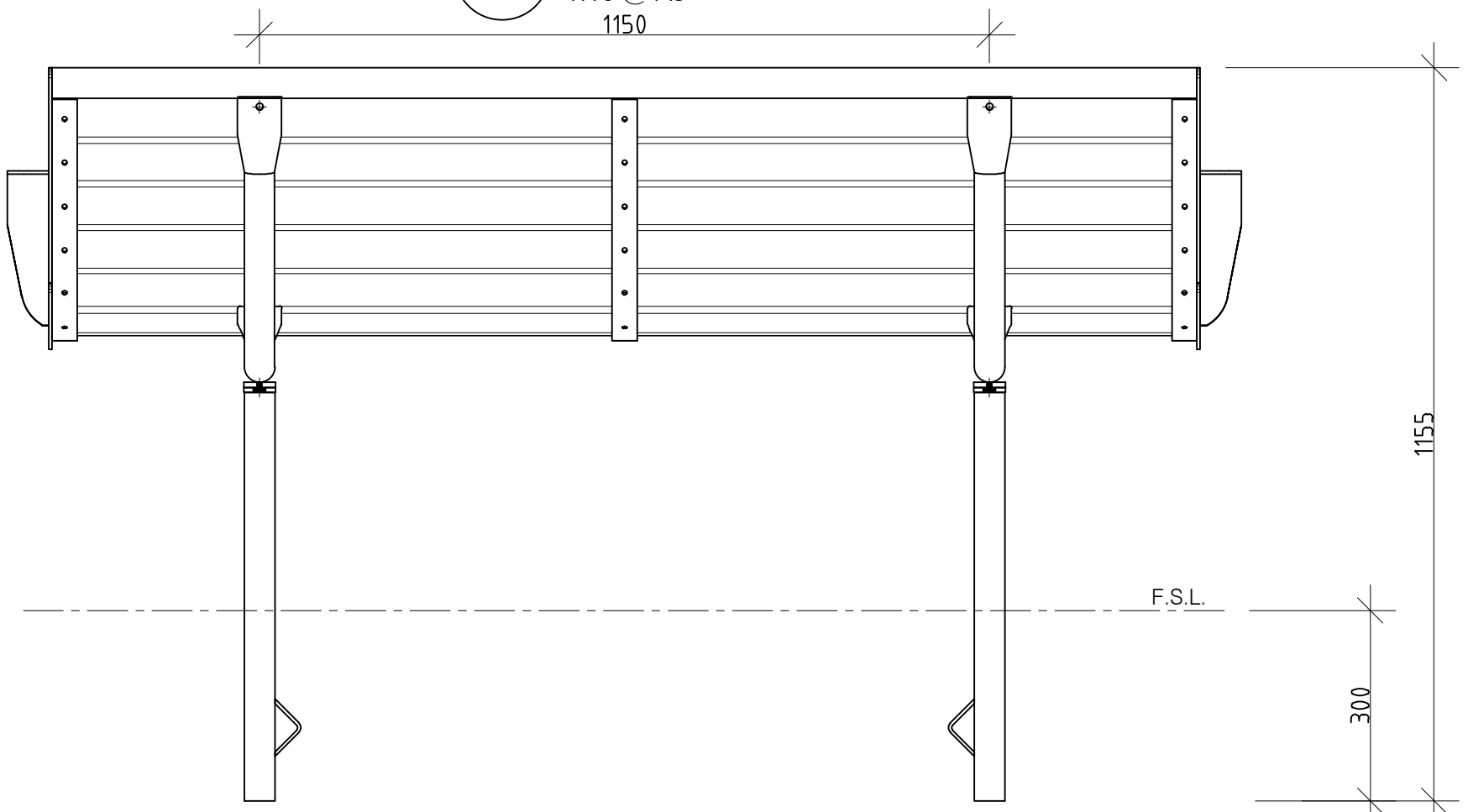
HWD TIMBER SLATS FOR BENCH FIXED TO STEEL SUPPORTS



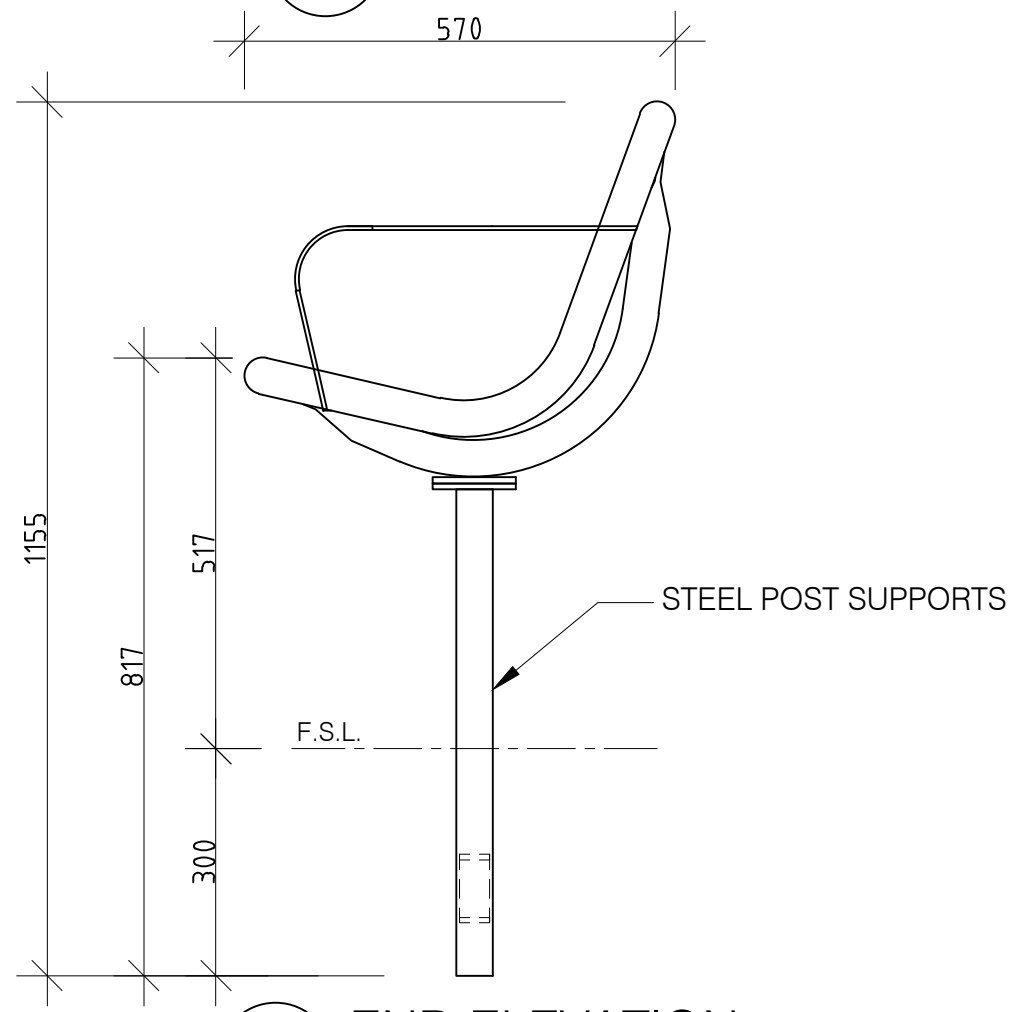
1 PLAN
1:10 @ A3
1150



4 PERSPECTIVE
N.T.S.
570



2 REAR ELEVATION
1:10 @ A3



3 END ELEVATION
1:10 @ A3

REVISION	DATE:	DRAWN BY:
6		
5		
4		
3		
2		
1		

FURPHY FOUNDRY PTY LTD
THIS DOCUMENT IS AND SHALL REMAIN THE PROPERTY OF FURPHY FOUNDRY. UNAUTHORISED USE OF THIS DOCUMENT IN ANY FORM IS PROHIBITED.

Furphy Foundry Pty Ltd PH: (03) 5831 2777
A.B.N. 24 007 195 913 FAX: (03) 5831 2681
21 Drummond Rd, www.furphyfoundry.com.au
Shepparton VIC 3630 sales@furphyfoundry.com.au

CLIENT NAME FURPHY FOUNDRY	PROJECT No. FFSB002010	PAGE A3
PROJECT WOODGROVE SEAT - IN GROUND (WITH ARMS)	DATE: 05-03-19	DRAWN PS
DRAWING TITLE PRELIMINARY	DRAWING No. 006	SCALE NOTED
	SHEET No. 001	REV. 1