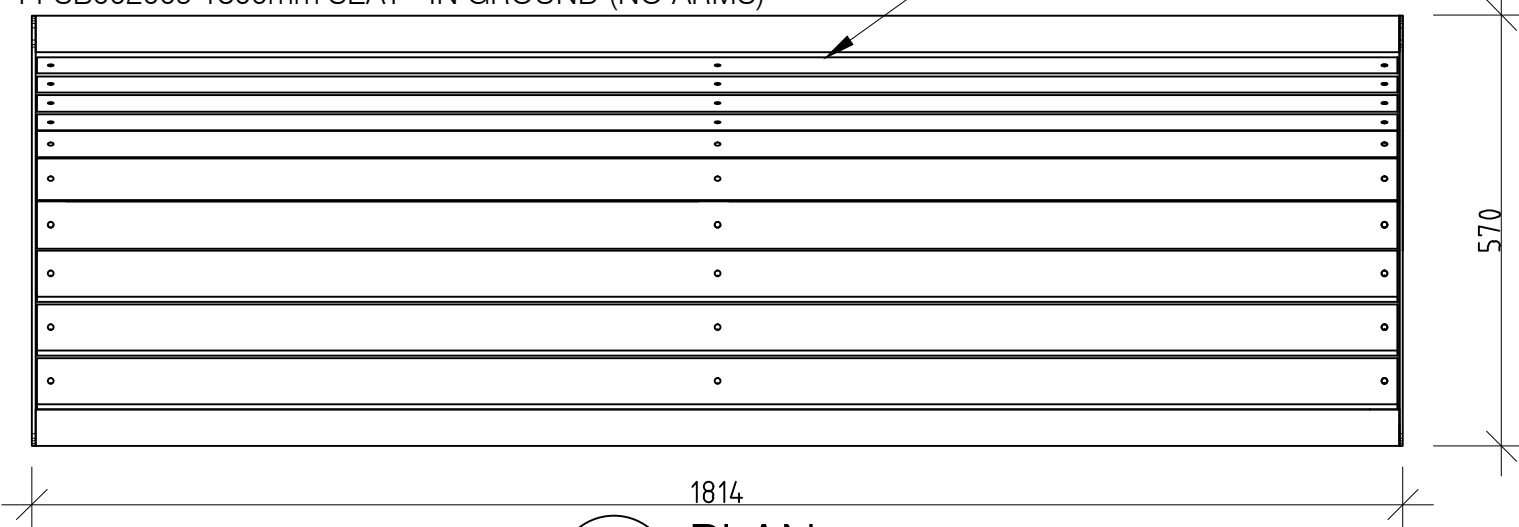


WOODGROVE SETTING SERIES

ALL DIMENSIONS IN MILLIMETRES - DO NOT SCALE

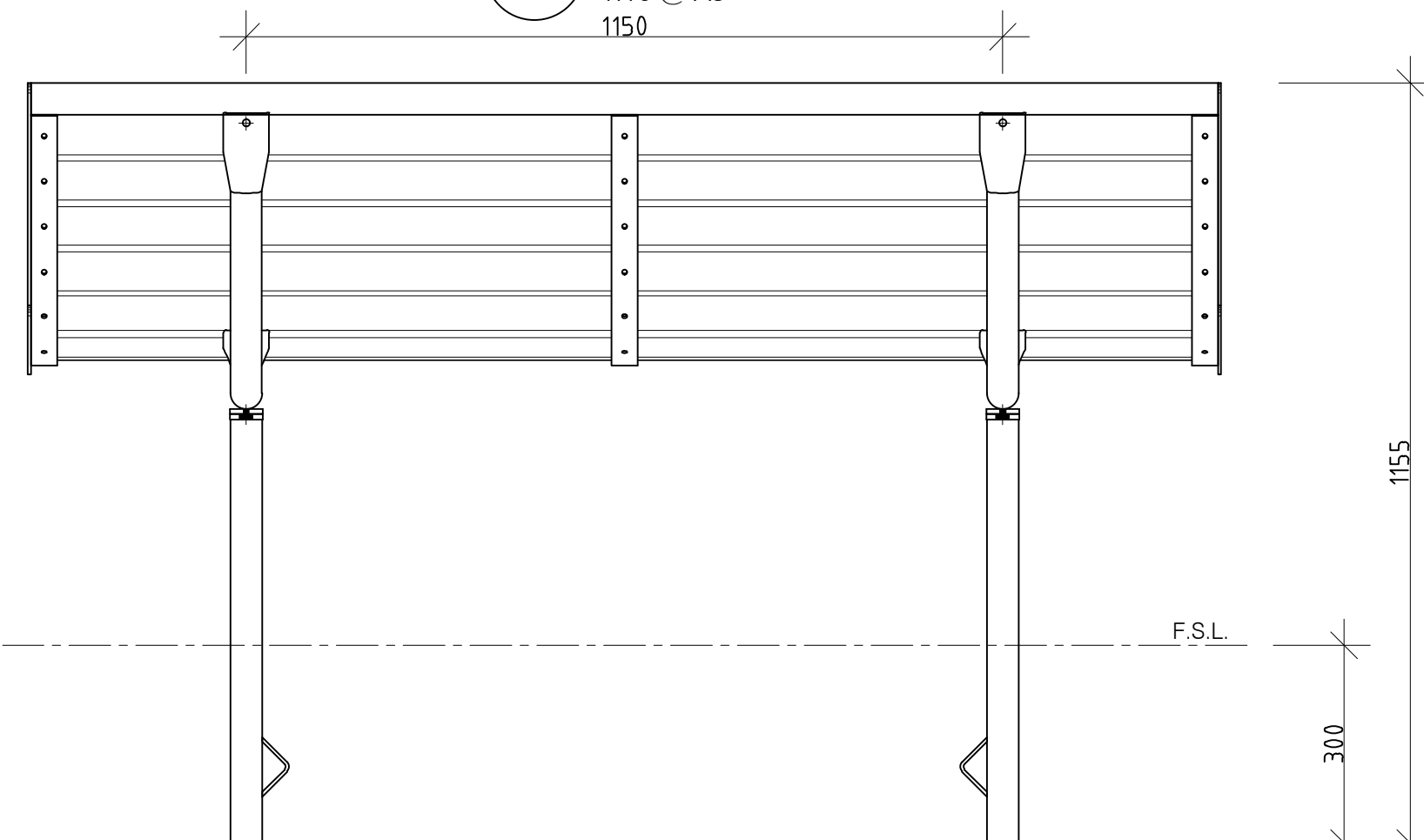
FFSB002009 1800mm SEAT - IN GROUND (NO ARMS)

HWD TIMBER SLATS FOR BENCH FIXED TO STEEL SUPPORTS

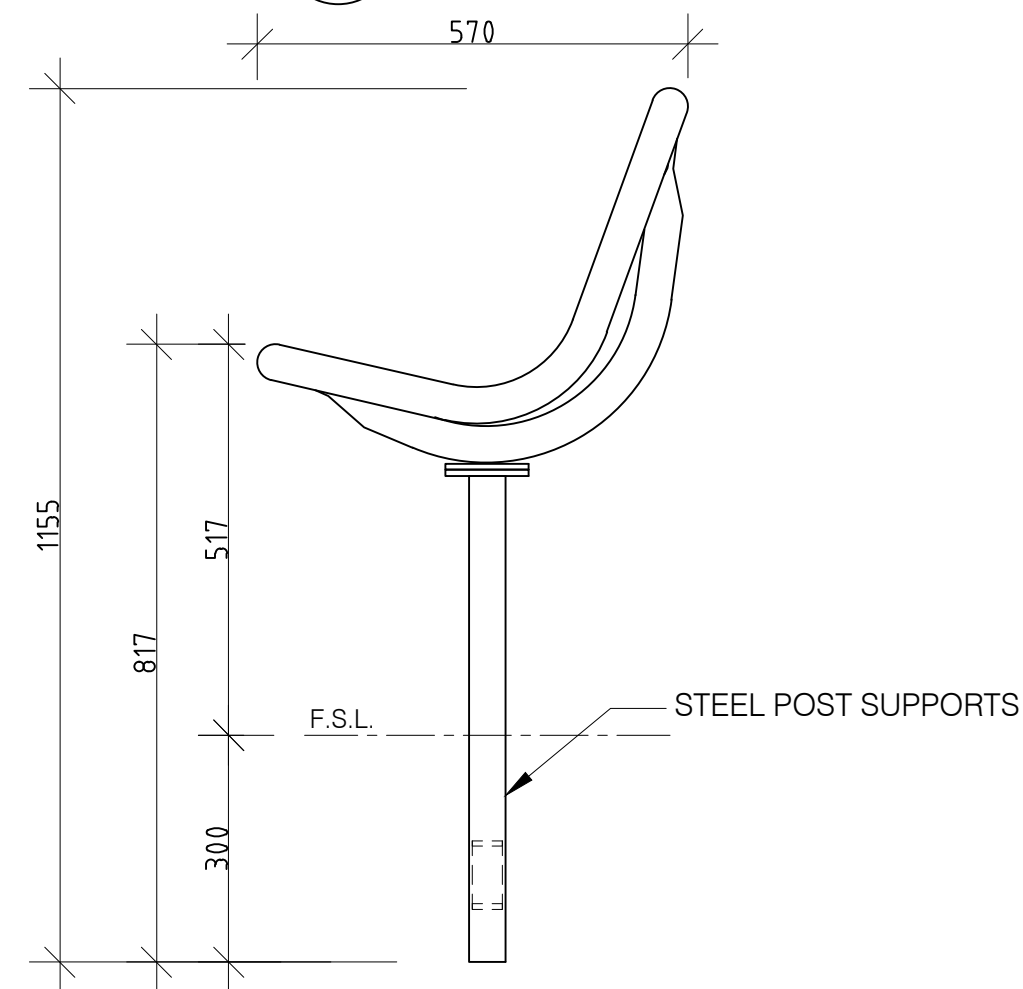


1 PLAN
1:10 @ A3
1814
570

4 PERSPECTIVE
N.T.S.



2 REAR ELEVATION
1:10 @ A3



3 END ELEVATION
1:10 @ A3

REVISION	DATE:	DRAWN BY.
6		
5		
4		
3		
2		
1		

DATE:	DRAWN BY.

FURPHY FOUNDRY PTY LTD
THIS DOCUMENT IS AND SHALL REMAIN THE PROPERTY OF FURPHY FOUNDRY. UNAUTHORISED USE OF THIS DOCUMENT IN ANY FORM IS PROHIBITED.

Furphy Foundry Pty Ltd
A.B.N. 24 007 195 913
21 Drummond Rd,
Shepparton VIC 3630

PH: (03) 5831 2777
FAX: (03) 5831 2681
www.furphyfoundry.com.au
sales@furphyfoundry.com.au

CLIENT NAME FURPHY FOUNDRY	PROJECT No. FFSB002009	PAGE A3
PROJECT WOODGROVE SEAT - IN GROUND	DATE: 05-03-19	DRAWN PS
DRAWING TITLE PRELIMINARY	DRAWING No. 005	SCALE NOTED
	SHEET No. 001	REV. 1

PROJECT No. FFSB002009	PAGE A3
DATE: 05-03-19	DRAWN PS
DRAWING No. 005	SCALE NOTED
SHEET No. 001	REV. 1