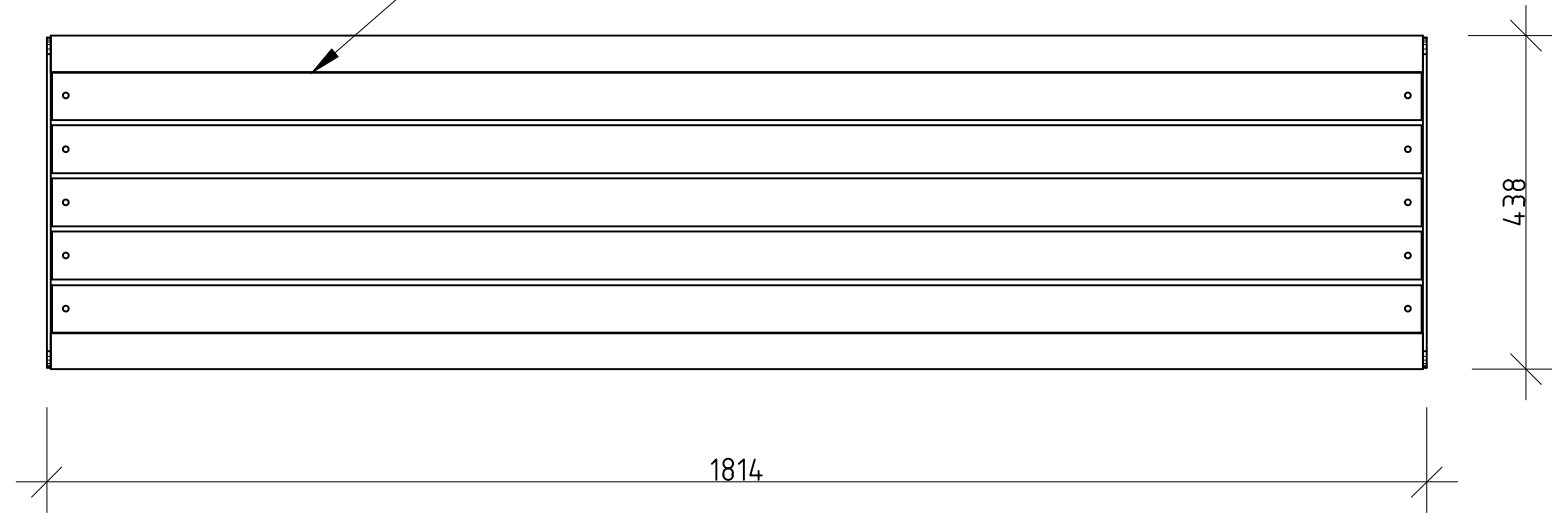


WOODGROVE SETTING SERIES

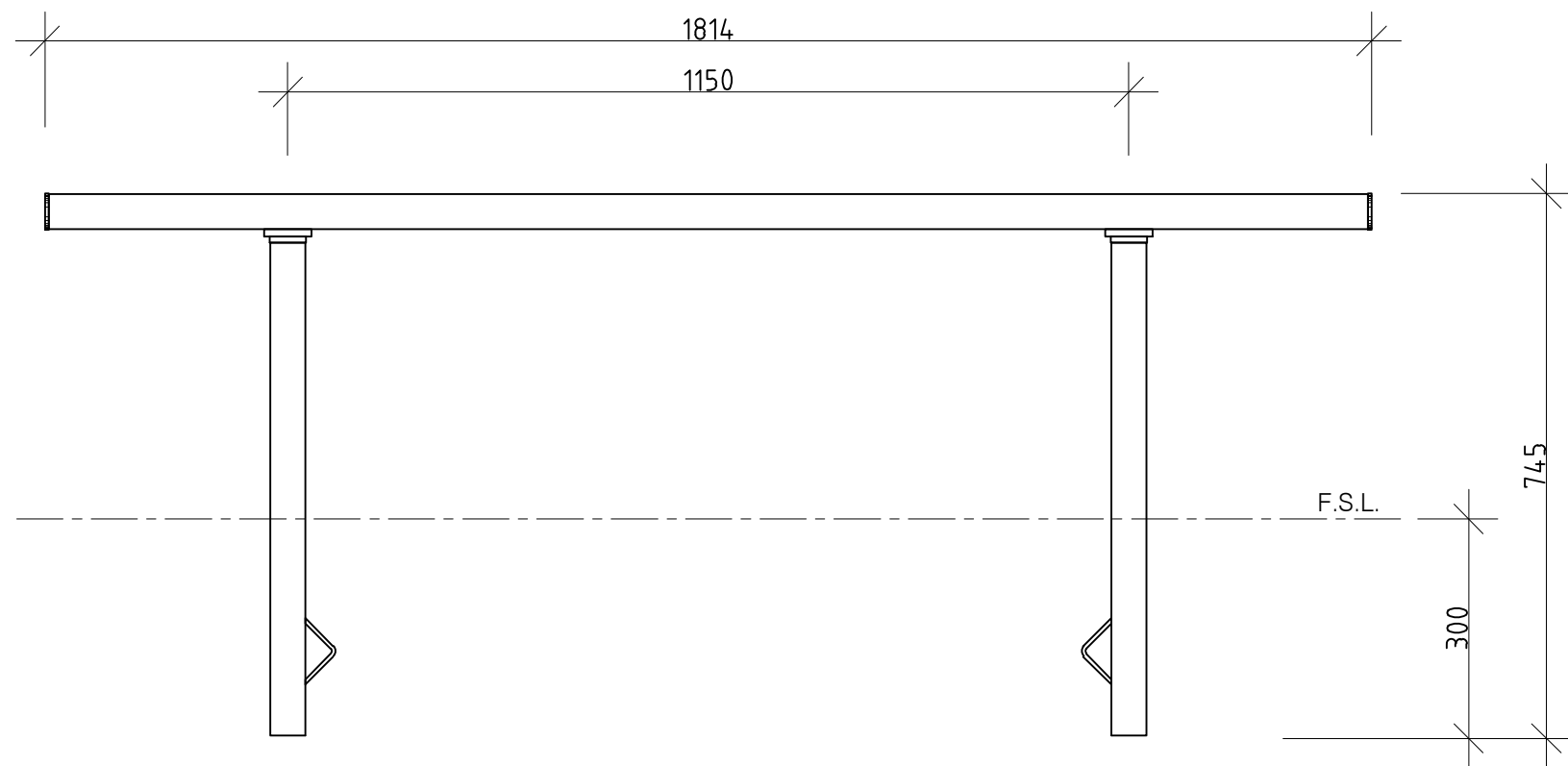
ALL DIMENSIONS IN MILLIMETRES - DO NOT SCALE

FFSB001008 1800mm BENCH - IN GROUND

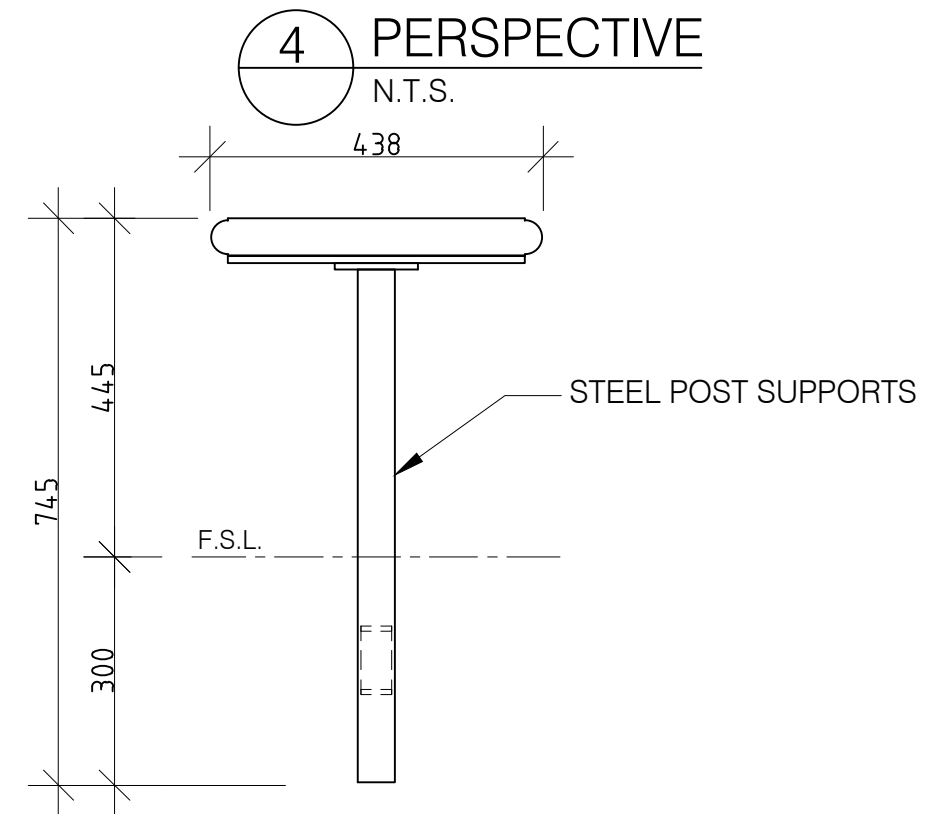
HWD TIMBER SLATS FOR BENCH FIXED TO STEEL SUPPORTS



1 PLAN
1:10 @ A3




2 FRONT ELEVATION
1:10 @ A3



4 PERSPECTIVE
N.T.S.

3 END ELEVATION
1:10 @ A3

REVISION	DATE:	DRAWN BY.		CLIENT NAME	PROJECT	PROJECT No.	PAGE
6			 FURPHY <small>FOUNDRY EST. 1864</small> © FURPHY FOUNDRY PTY LTD THIS DOCUMENT IS AND SHALL REMAIN THE PROPERTY OF FURPHY FOUNDRY. UNAUTHORISED USE OF THIS DOCUMENT IN ANY FORM IS PROHIBITED.	FURPHY FOUNDRY	WOODGROVE BENCH - IN GROUND	FFSB001008	A3
5						DATE:	DRAWN
4						05-03-19	PS
3						DRAWING No.	SCALE
2						002	NOTED
1						SHEET No.	REV.
					001	1	

Furphy Foundry Pty Ltd
 A.B.N. 24 007 195 913
 21 Drummond Rd,
 Shepparton VIC 3630

PH: (03) 5831 2777
 FAX: (03) 5831 2681
 www.furphyfoundry.com.au
 sales@furphyfoundry.com.au

CLIENT NAME
FURPHY FOUNDRY

PROJECT
WOODGROVE BENCH - IN GROUND

DRAWING TITLE
PRELIMINARY