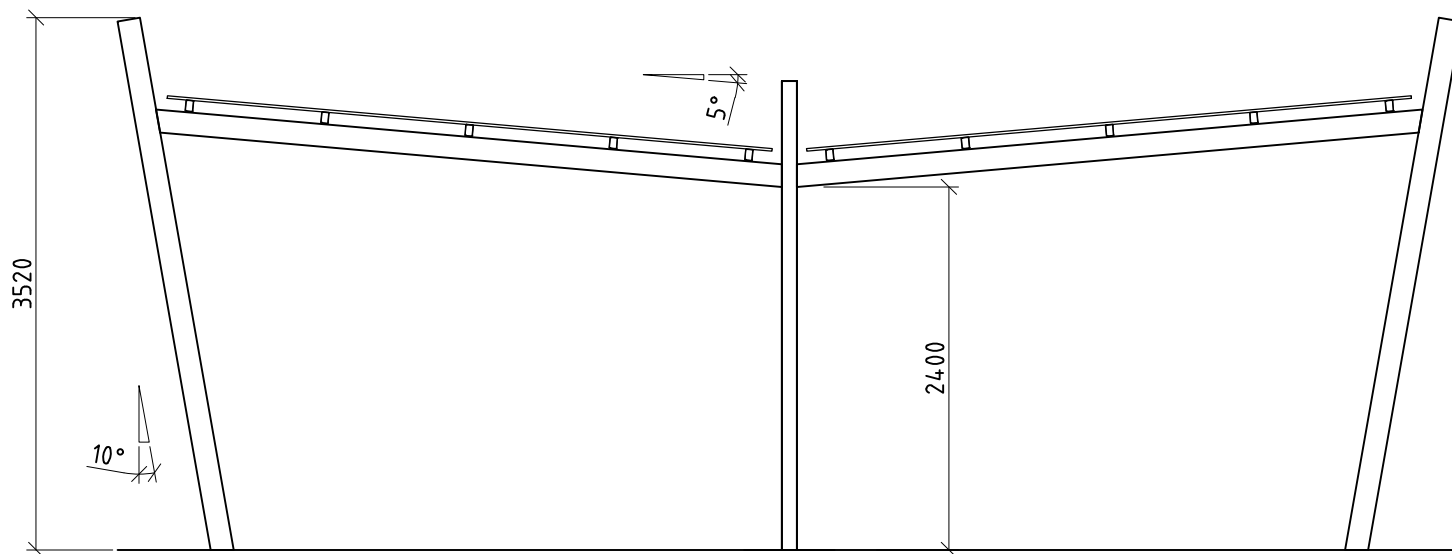


PLAN
SCALE (1:50)

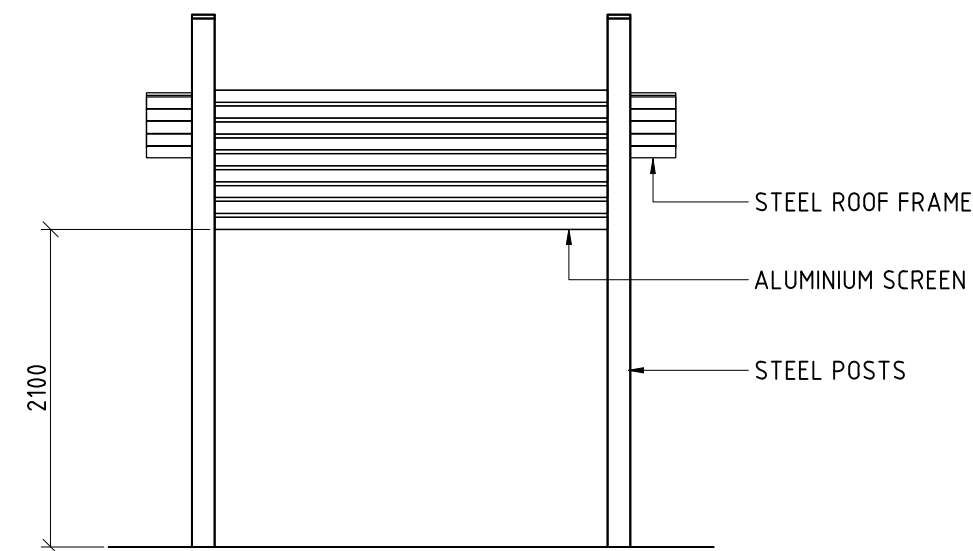
GENERAL NOTES:

1. DURING CONSTRUCTION THE STRUCTURE SHALL BE MAINTAINED IN A STABLE CONDITION AND NO PART SHALL BE OVER STRESSED.
2. PRIOR TO COMMENCEMENT OF WORKS THE BUILDER SHALL SATISFY THEMSELVES OF THE CORRECT LOCATIONS OF ALL EXISTING SERVICES WHETHER INDICATED OR NOT ON THE PLANS.
3. LOCATING OF THE STRUCTURE, INCLUDING CO-ORDINATES IF APPLICABLE, IS THE RESPONSIBILITY OF THE CLIENT AND/OR THE CLIENT'S SITE REPRESENTATIVE.
4. STRUCTURE HAS BEEN DESIGNED AS A CLASS 10A STRUCTURE AND IN ACCORDANCE TO THE FOLLOWING AUSTRALIAN STANDARDS:
- AS1170.1, AS1170.2, AS1720.1, AS3600 AND AS4100, AS1664.
5. STRUCTURE IS SUITABLE FOR N3 AREAS AND HAS BEEN DESIGNED WITH AN ANNUAL RECURRANCE INTERVAL OF 100 YEARS.
6. SITE COVERAGE IS 28 m² (ROOF AREA).
7. THE FOOTING HAS BEEN DESIGNED ASSUMING:
- SITE CLASS S OR M OR H
- ALLOWABLE SOIL BEARING CAPACITY OF 100kPa
- SOIL ADHESION OF 10kPa
(TO BE VERIFIED ON SITE).
8. FOR SLABS ON GROUND, ALL TOPSOIL AND UPPER STRATA CONTAINING SOFT OR ORGANIC MATTER ARE TO BE REMOVED AND REPLACED WITH SELECT COMPACTED FILL.
9. ALL FILL TO BE CLEAN, PLACED IN LAYERS NOT EXCEEDING 200mm AND COMPACTED TO 95% STANDARD COMPACTION.
10. EARTHWORKS SHALL BE CARRIED OUT IN ACCORDANCE WITH CRITERIA AND PROCEDURES SET OUT IN AS3798 *GUIDELINES ON EARTHWORKS FOR COMMERCIAL AND RESIDENTIAL DEVELOPMENTS.*

PRELIMINARY DRAWING ONLY - NOT FOR CONSTRUCTION



SIDE ELEVATION
SCALE (1:50)



FRONT ELEVATION
SCALE (1:50)

5																														
4																														
3																														
2																														
1																														
REVISION		DRAWN	DATE	<p>THIRD ANGLE PROJECTION U.N.O.</p>		<p>CERTIFIED SAFETY MANAGEMENT SYSTEM AS/NZS 4801</p>		<p>CERTIFIED QUALITY MANAGEMENT SYSTEM ISO 9001</p>		<p>Landmark Enhancing Open Space Environments</p>		<p>Landmark Products Limited. PH: 1300 768 230 A.B.N. 99 112 000 843 FAX: 1300 768 260 55-57 Kabi Circuit, Deception Bay P.O. Box 603, Deception Bay Queensland 4508 www.landmarkpro.com.au landmark@landmarkpro.com.au</p>		DRAWN	CLIENT NAME		<p>RAE CHECKED</p> <p>LANDMARK PRODUCTS LIMITED</p>		PROJECT		<p>DATE</p> <p>STANDARD K680 "BURLEIGH" SHELTER RANGE K682 BURLEIGH, SP, IG, SS</p>		DRAWING TITLE		DRAWING NUMBER		SHEET		REVISION	
				<p>mm</p> <p>ALL DIMENSIONS IN MILLIMETRES U.N.O. DO NOT SCALE FROM DRAWINGS IF IN DOUBT, ASK</p>						<p>NOTED</p> <p>PAGE A3</p>		BA - PLAN & ELEVATIONS		K6824S*S*IG*		001		0												