

STRUCTURAL NOTES:

ALL DIMENSIONS IN MILLIMETRES - DO NOT SCALE

S1. UNLESS NOTED OTHERWISE, ALL TIMBER IS SPECIFIED AS FOLLOWS:-

~~ALL PINE TIMBER TO BE LOSP TREATED MGP12.~~

ALL HARDWOOD TIMBER TO BE ACQ TREATED F17 HARDWOOD.

ALL MACHINED / CUT SURFACES TO BE SUITABLY RETREATED WITH A LANDMARK PRODUCTS APPROVED COMPOUND.

S2. UNLESS NOTED OTHERWISE, ALL STEEL TO BE:

- PLATES: GRADE 250, HOT DIP GALVANISED

- SHS/RHS/CHS: GRADE 350, HOT DIP GALVANISED

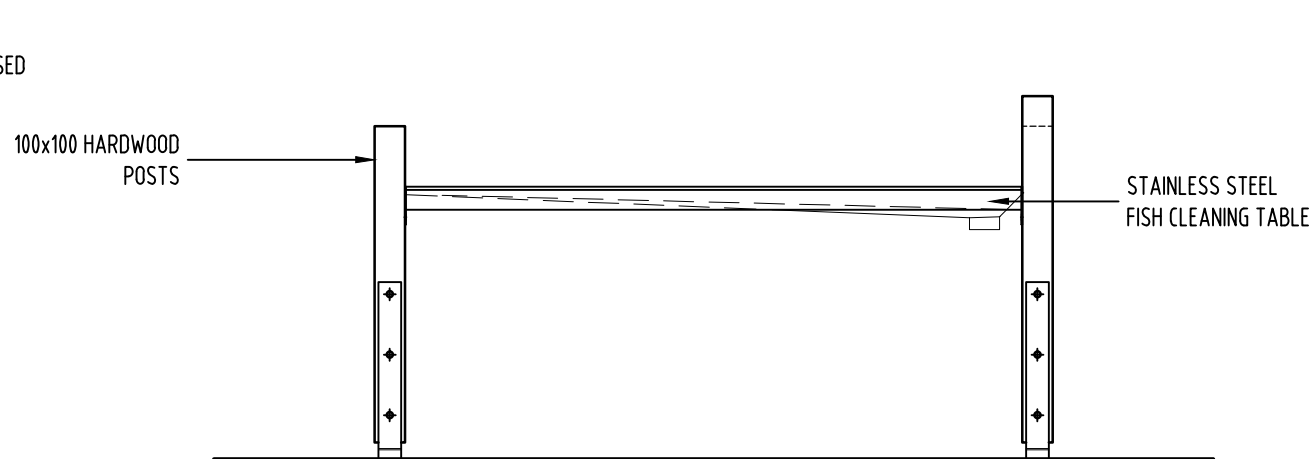
- HOT ROLLED SECTIONS: GRADE 300, HOT DIP GALVANISED

- FIXINGS: GALVANISED

S3. UNLESS NOTED OTHERWISE, ALL WELDS TO BE

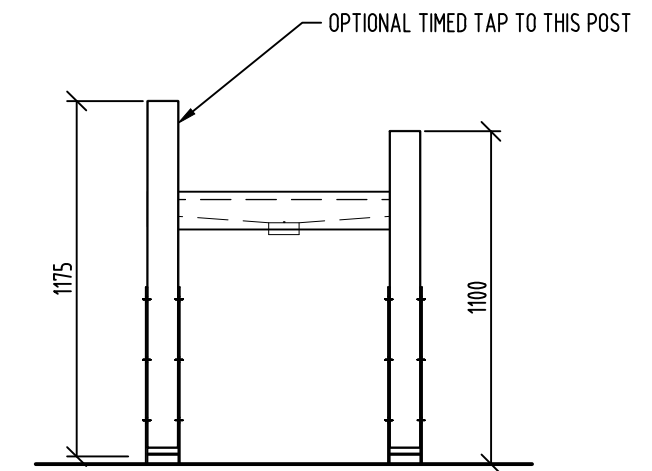
5mm CONTINUOUS FILLET, CATEGORY GP, FROM E48xx ELECTRODES OR W50x WIRE.

S4. ALL STEEL AND TIMBER TO BE FABRICATED AND ERECTED WITH GOOD BUILDING PRACTICE AND IN ACCORDANCE WITH AS4100, AS1554, AS1720 AND AS1684.1.



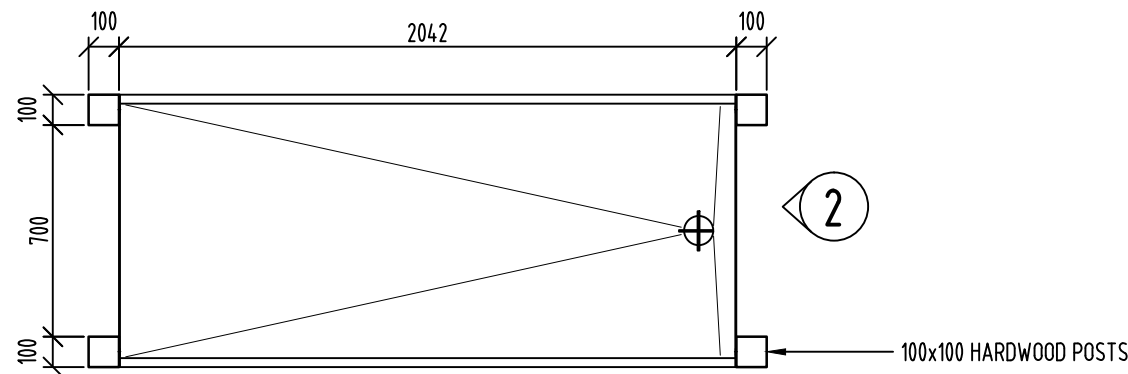
ELEVATION 1

SCALE (1:25)



ELEVATION 2


SCALE (1:25)



PLAN

SCALE (1:25)



REVISION	DATE:	DRAWN BY:	© LANDMARK PRODUCTS LIMITED 2005 THIS DOCUMENT IS AND SHALL REMAIN THE PROPERTY OF LANDMARK PRODUCTS LIMITED. UNAUTHORISED USE OF THIS DOCUMENT IN ANY FORM IS PROHIBITED		CLIENT NAME	PROJECT No.	PAGE
6	-	-	 <p>Landmark Innovative Kit Form Solutions</p> <p>Landmark Products Limited. PH: (07) 3881 1499 A.B.N. 99 112 000 843 FAX: (07) 3205 6243 111 Railway Avenue, Strathpine P.O. Box 476 Strathpine Queensland 4500 www.landmarkpro.com.au landmark@landmarkpro.com.au</p>	LANDMARK PRODUCTS LTD.	K191 HG IG	A3	
5	-	-		PROJECT	DATE: 03/10/14	DRAWN MAF	
4	-	-		K191 "ANGLESEA" FISH CLEANING STATION, HG, IG	DRAWING No. K191 HG IG	SCALE NTD.	
3	-	-		DRAWING TITLE	SHEET No.	REV.	
2	-	-		BA - PLAN & ELEVATIONS	101	0	
1	-	-		CHECKED BY:	DATE:		