

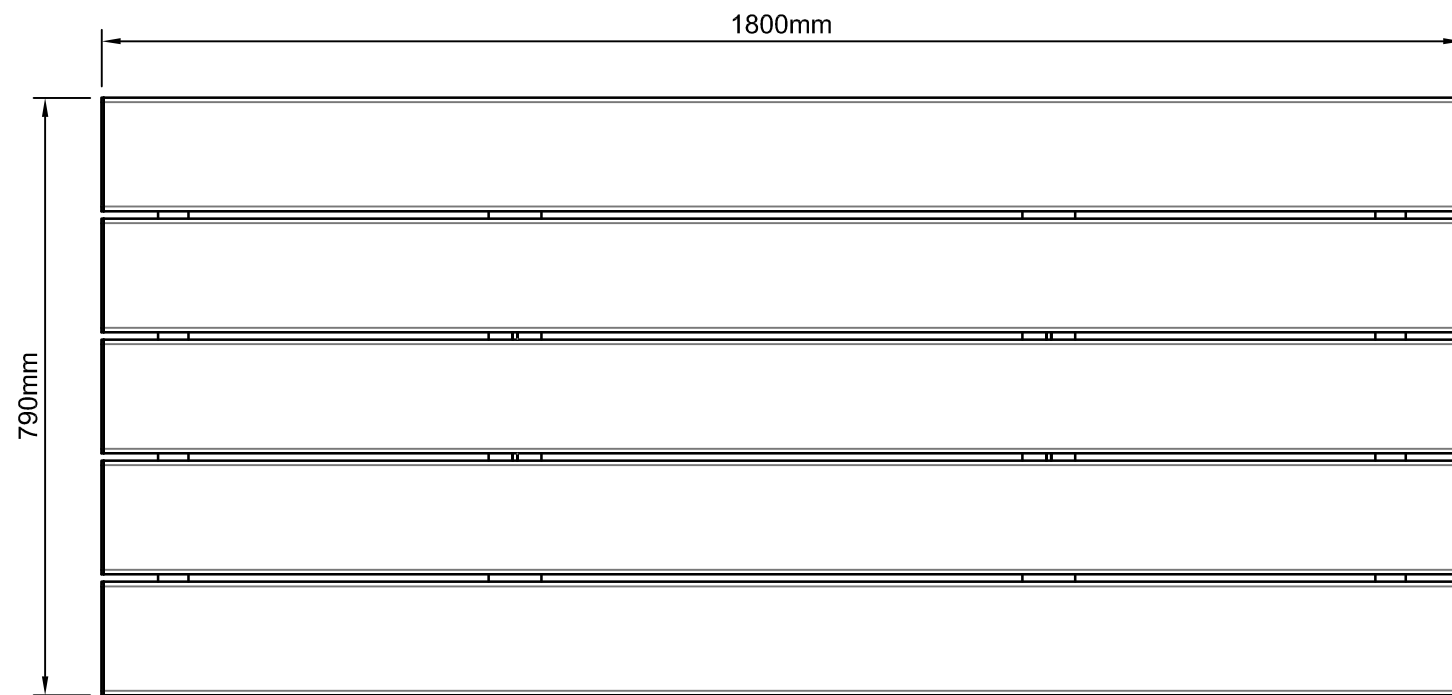
SPECIFICATIONS

CODE:	MATERIAL: SLATS/FRAME	FINISH: SLATS	FINISH: FRAME	MATERIAL: FIXINGS
K0631.8ATACBS WCA2 TABLE ONLY	ALUMINIUM	TIMBER EFFECT	POWDER COAT	STAINLESS STEEL
K0631.8AAACBS WCA2 TABLE ONLY	ALUMINIUM	CLEAR ANODISED	POWDER COAT	STAINLESS STEEL
K0631.8ALACBS WCA2 TABLE ONLY	ALUMINIUM	COLOUR ANODISED	POWDER COAT	STAINLESS STEEL
K0631.8ACACBS WCA2 TABLE ONLY	ALUMINIUM	POWDER COAT	POWDER COAT	STAINLESS STEEL

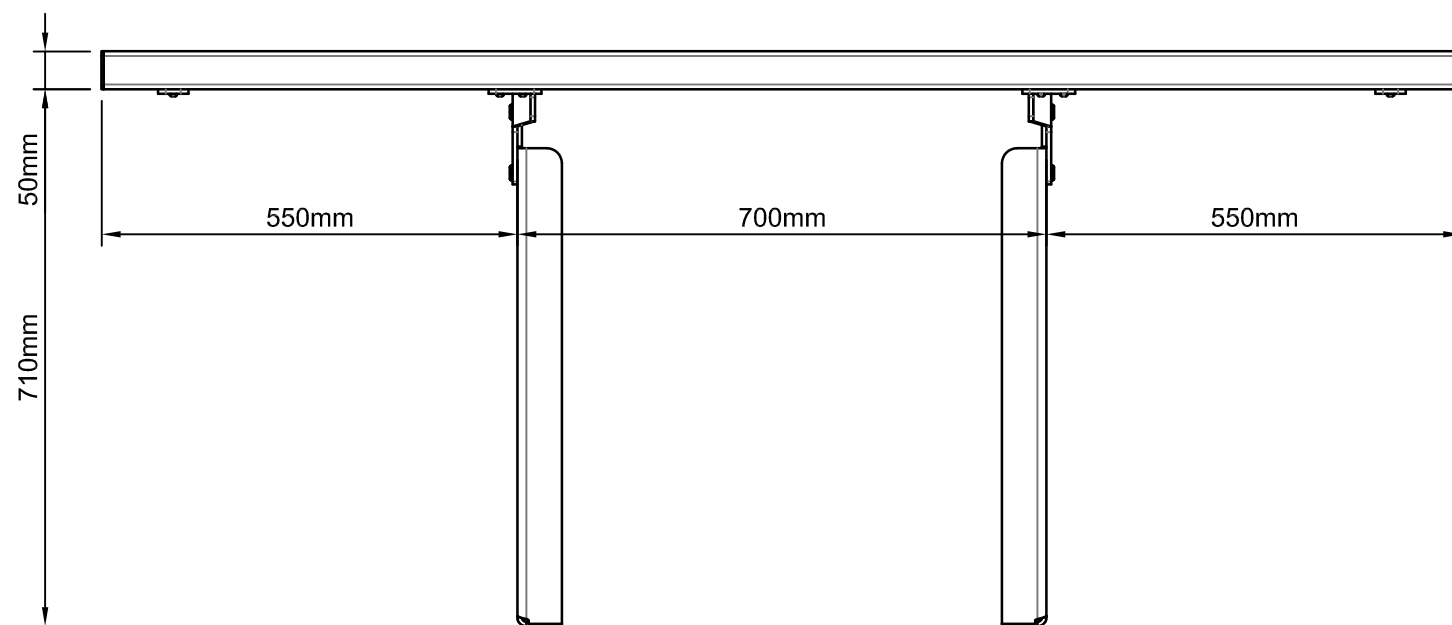
ALL DIMENSIONS IN MILLIMETRES - DO NOT SCALE



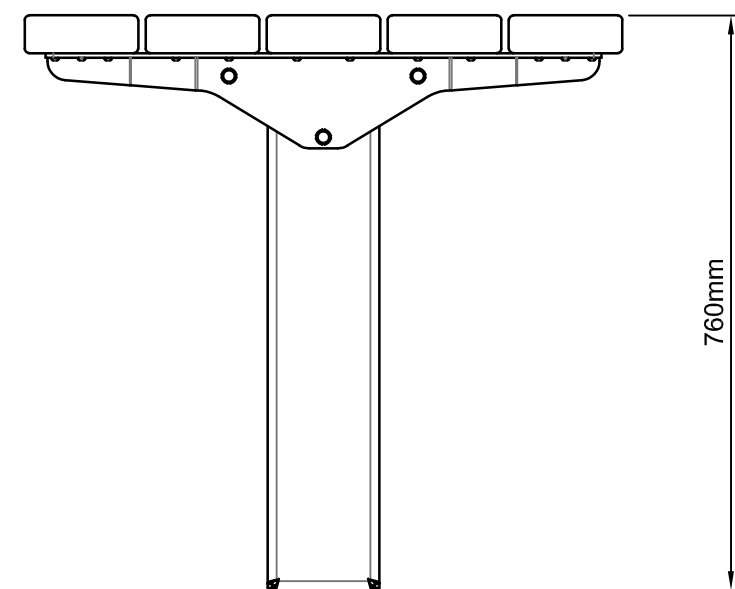
EXAMPLE RENDER:
K0631.8ATACBS WCA2 TABLE ONLY



PLAN



FRONT ELEVATION



SIDE ELEVATION

Revision History				© LANDMARK PRODUCTS PTY LTD		CLIENT NAME	PROJECT No.	PAGE
Rev	Description	Date	Approved	THIS DOCUMENT IS AND SHALL REMAIN THE PROPERTY OF LANDMARK PRODUCTS PTY LTD. UNAUTHORISED USE OF THIS DOCUMENT IN ANY FORM IS PROHIBITED.		LANDMARK PRODUCTS Pty Ltd	K0631.8-T	A3
A	AMENDED DESIGN	15/12/2023	JAR			PROJECT SAN MARCO - TABLE - 1800 - WCA2	DATE: 15/12/2023	DRAWN JAR
				CHECKED BY:	DATE:	DRAWING TITLE PRELIMINARY DRAWING	DRAWING No. K0631.8-T	SCALE 1:10
				Landmark Products Pty Ltd A.B.N. 99 112 000 843 6 / 26 Flinders Parade, Northlakes, QLD 4509		PH: (03) 5831 2777 FAX: (03) 5831 2681 www.landmarkproducts.com.au landmark@landmarkpro.com.au	SHEET No. 1/1	REV. A