

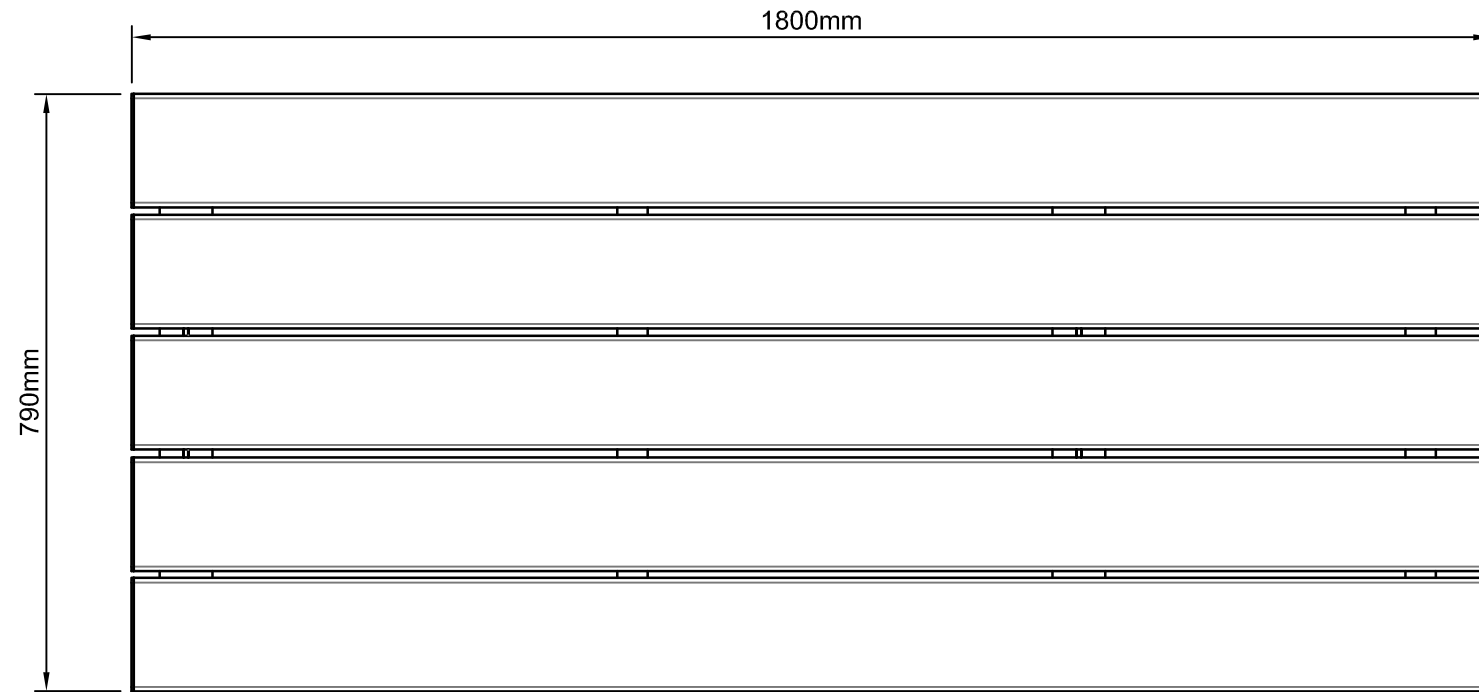
SPECIFICATIONS

CODE:	MATERIAL: SLATS/FRAME	FINISH: SLATS	FINISH: FRAME	MATERIAL: FIXINGS
K0621.8ATACBS WCA1 TABLE ONLY	ALUMINIUM	TIMBER EFFECT	POWDER COAT	STAINLESS STEEL
K0621.8AAACBS WCA1 TABLE ONLY	ALUMINIUM	CLEAR ANODISED	POWDER COAT	STAINLESS STEEL
K0621.8ALACBS WCA1 TABLE ONLY	ALUMINIUM	COLOUR ANODISED	POWDER COAT	STAINLESS STEEL
K0621.8ACACBS WCA1 TABLE ONLY	ALUMINIUM	POWDER COAT	POWDER COAT	STAINLESS STEEL

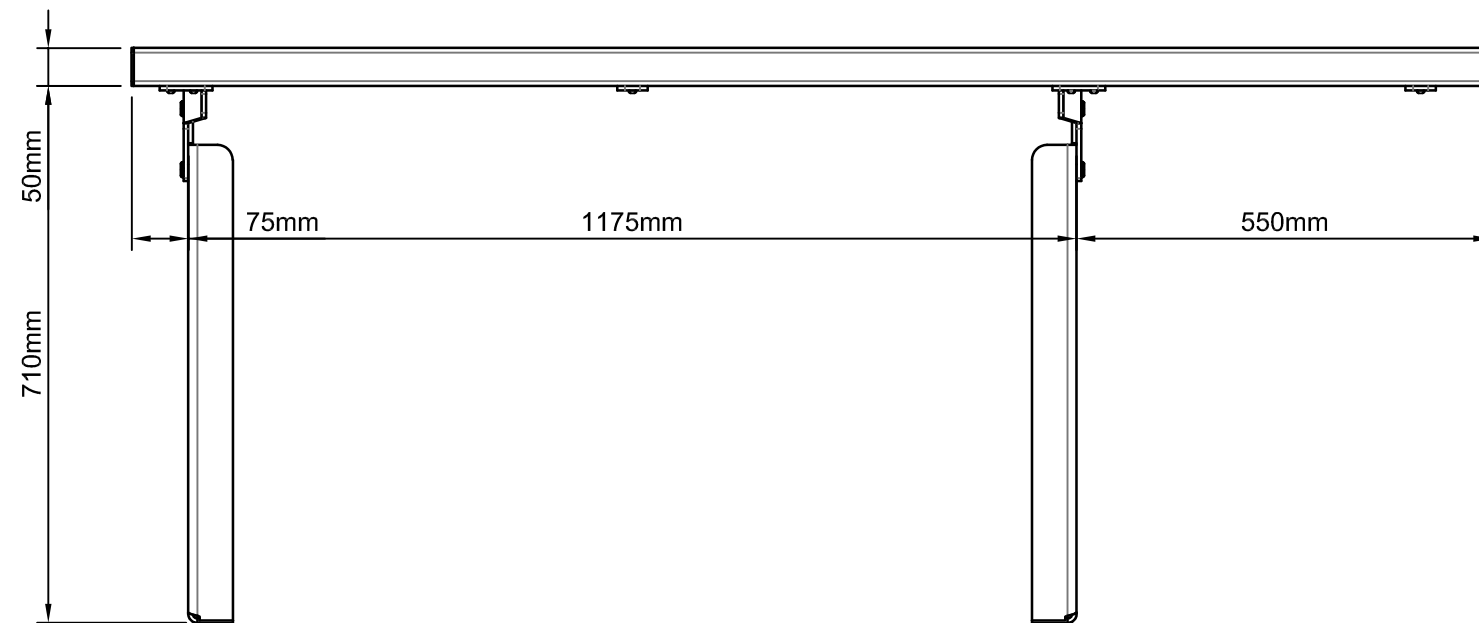
ALL DIMENSIONS IN MILLIMETRES - DO NOT SCALE



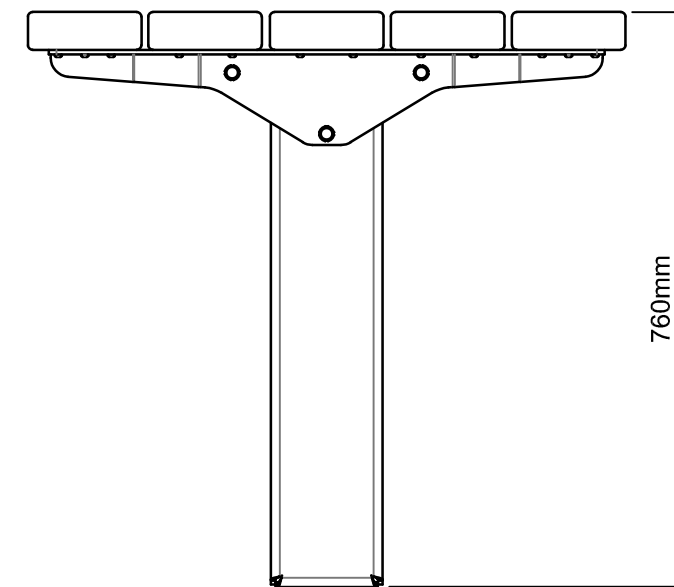
EXAMPLE RENDER:
K0621.8ATACBS WCA1 TABLE ONLY




PLAN



FRONT ELEVATION



SIDE ELEVATION

Revision History				© LANDMARK PRODUCTS PTY LTD		CLIENT NAME		PROJECT No.	PAGE
Rev	Description	Date	Approved	THIS DOCUMENT IS AND SHALL REMAIN THE PROPERTY OF LANDMARK PRODUCTS PTY LTD. UNAUTHORISED USE OF THIS DOCUMENT IN ANY FORM IS PROHIBITED.		LANDMARK PRODUCTS Pty Ltd		K0621.8-T	A3
A	AMENDED DESIGN	15/12/2023	JAR			PROJECT		DATE:	DRAWN
						CHECKED BY: DATE:		SAN MARCO - TABLE - 1800 - WCA1	
				Landmark Products Pty Ltd PH: (03) 5831 2777 A.B.N. 99 112 000 843 FAX: (03) 5831 2681 6 / 26 Flinders Parade, www.landmarkproducts.com.au Northlakes, QLD 4509 landmark@landmarkpro.com.au		DRAWING TITLE		DRAWING No.	SCALE
						PRELIMINARY DRAWING		K0621.8-T	1:10
								SHEET No.	REV.
								1/1	A