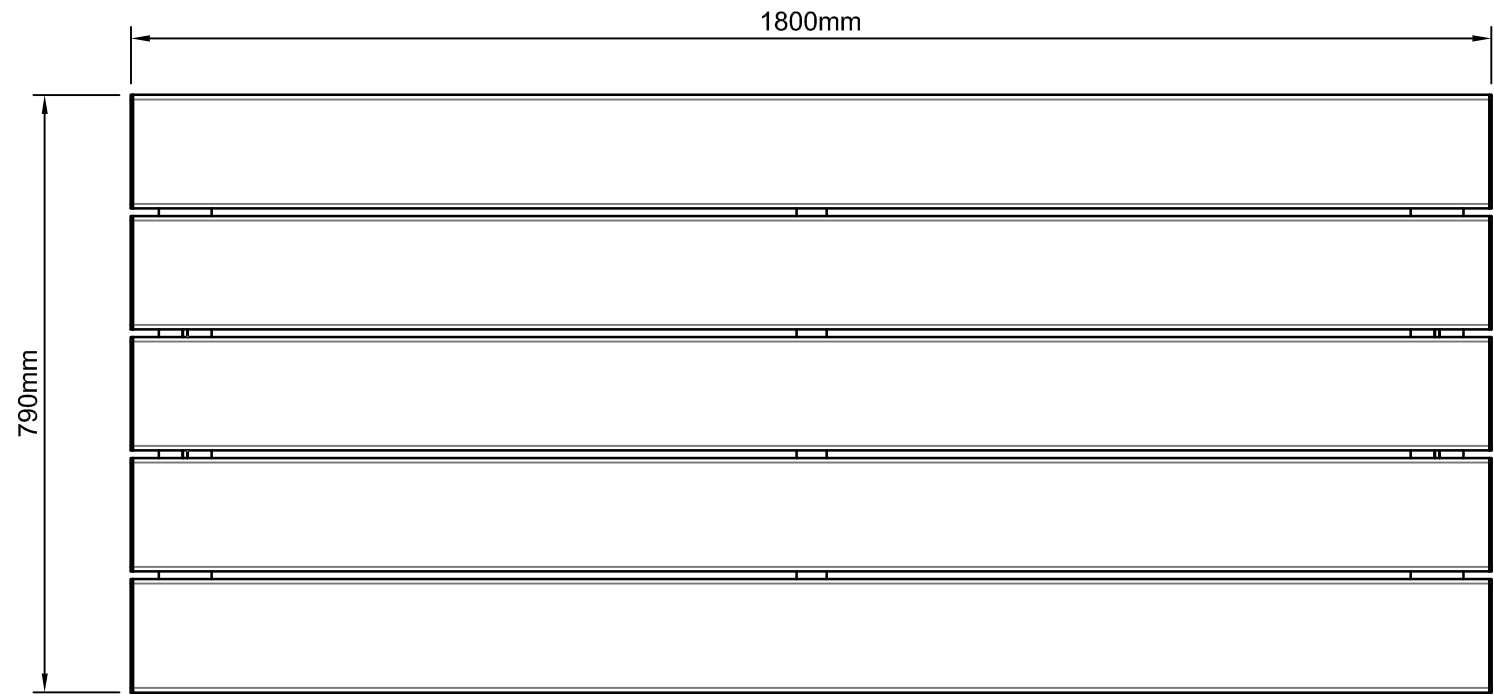


SPECIFICATIONS				
CODE:	MATERIAL: SLATS/FRAME	FINISH: SLATS	FINISH: FRAME	MATERIAL: FIXINGS
K0601.8ATACBS TABLE ONLY	ALUMINIUM	TIMBER EFFECT	POWDER COAT	STAINLESS STEEL
K0601.8AAACBS TABLE ONLY	ALUMINIUM	CLEAR ANODISED	POWDER COAT	STAINLESS STEEL
K0601.8ALACBS TABLE ONLY	ALUMINIUM	COLOUR ANODISED	POWDER COAT	STAINLESS STEEL
K0601.8ACACBS TABLE ONLY	ALUMINIUM	POWDER COAT	POWDER COAT	STAINLESS STEEL

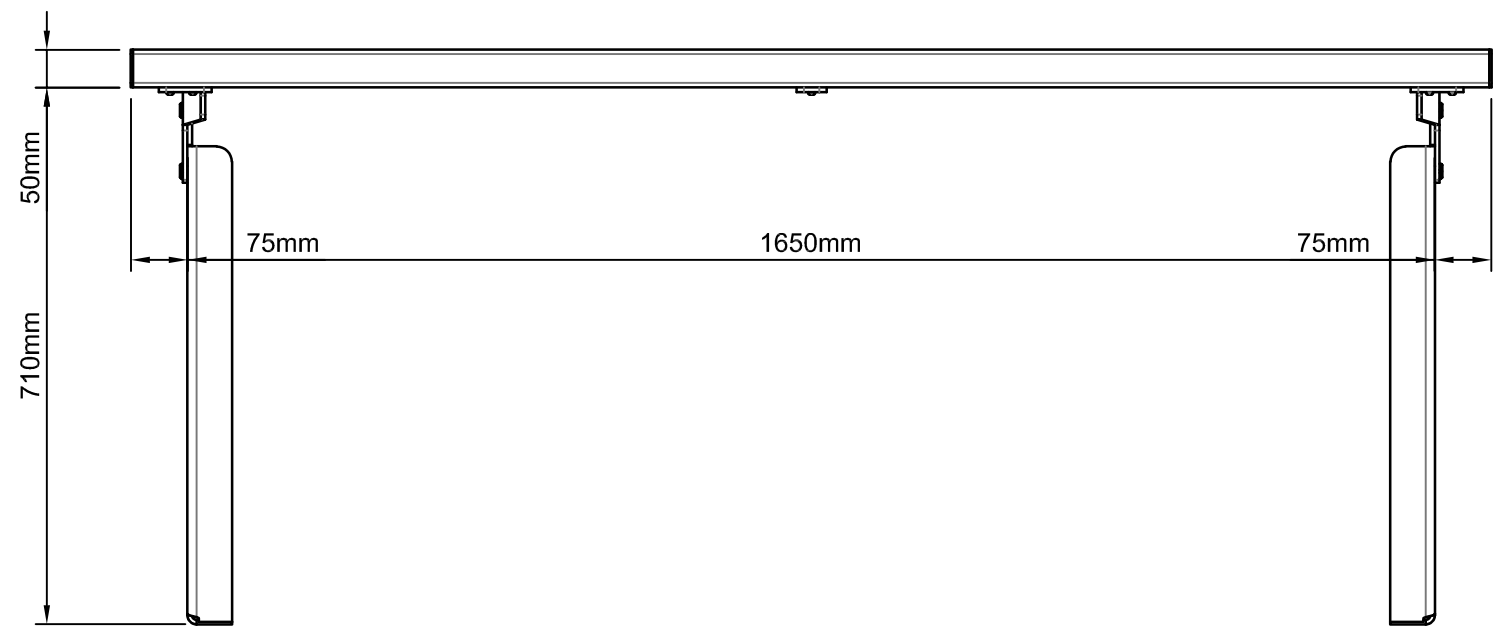
ALL DIMENSIONS IN MILLIMETRES - DO NOT SCALE



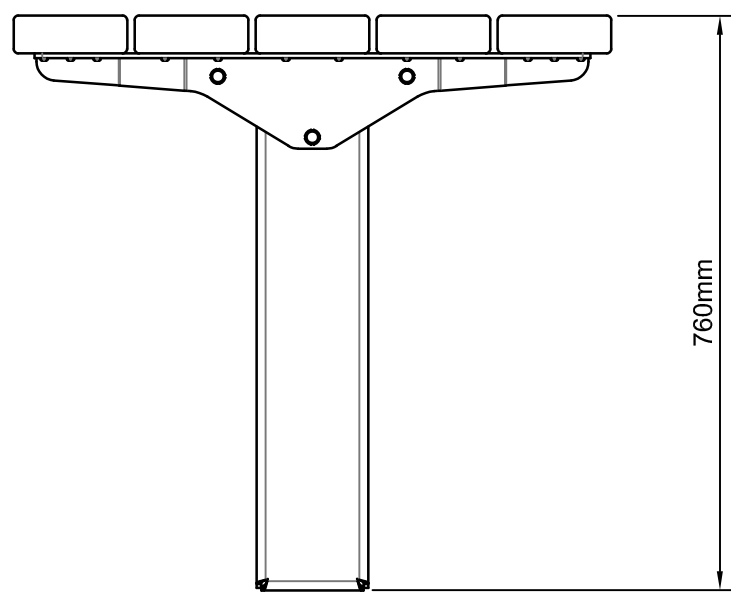
EXAMPLE RENDER:
K0601.8ATACBS TABLE ONLY



PLAN



FRONT ELEVATION



SIDE ELEVATION

Revision History				© LANDMARK PRODUCTS PTY LTD THIS DOCUMENT IS AND SHALL REMAIN THE PROPERTY OF LANDMARK PRODUCTS PTY LTD. UNAUTHORISED USE OF THIS DOCUMENT IN ANY FORM IS PROHIBITED.		CLIENT NAME	PROJECT No.	PAGE
Rev	Description	Date	Approved			LANDMARK PRODUCTS Pty Ltd	K0601.8-T	A3
A	AMENDED DESIGN	14/12/2023	JAR	CHECKED BY: _____ DATE: _____ Landmark Products Pty Ltd PH: (03) 5831 2777 A.B.N. 99 112 000 843 FAX: (03) 5831 2681 6 / 26 Flinders Parade, www.landmarkproducts.com.au Northlakes, QLD 4509 landmark@landmarkpro.com.au	PROJECT	DATE:	DRAWN	
						SAN MARCO - TABLE - 1800	15/12/2023	JAR
						DRAWING TITLE	DRAWING No.	SCALE
						PRELIMINARY DRAWING	K0601.8-T	1:10
						SHEET No.	REV.	
						1/1	A	