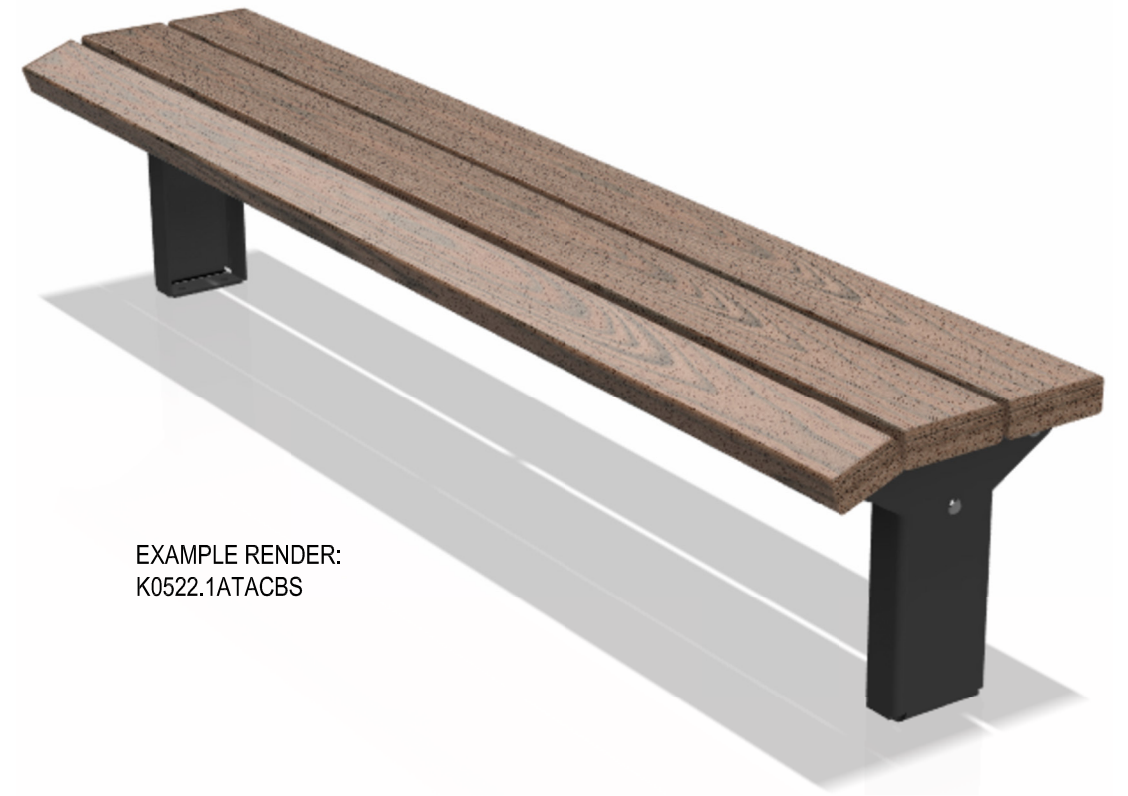
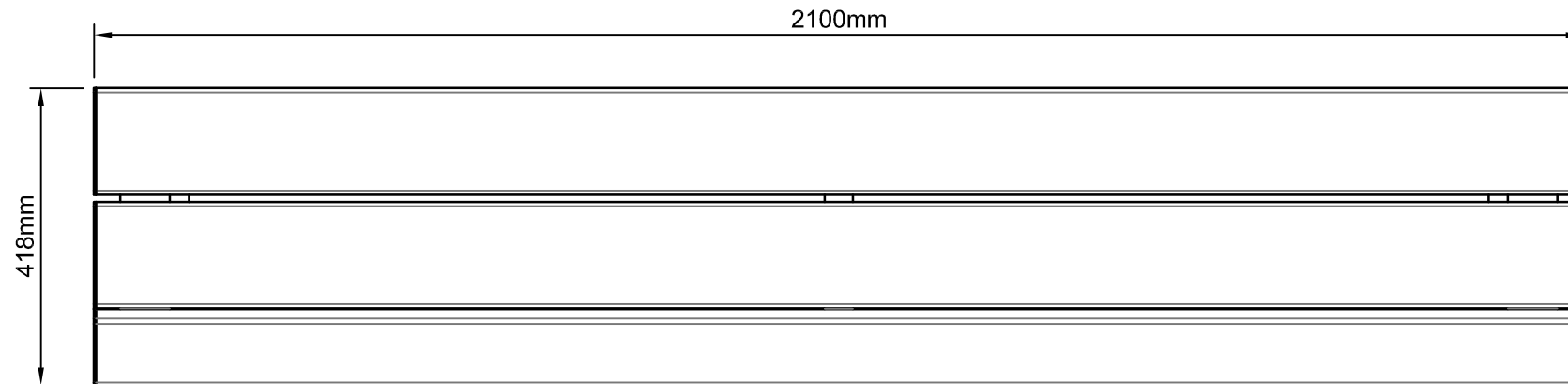


| SPECIFICATIONS | | | | |
|----------------|-----------------------|-----------------|---------------|-------------------|
| CODE: | MATERIAL: SLATS/FRAME | FINISH: SLATS | FINISH: FRAME | MATERIAL: FIXINGS |
| K0522.1AACBS | ALUMINIUM | CLEAR ANODISED | POWDER COAT | STAINLESS STEEL |
| K0522.1ACACBS | ALUMINIUM | POWDER COAT | POWDER COAT | STAINLESS STEEL |
| K0522.1ALACBS | ALUMINIUM | COLOUR ANODISED | POWDER COAT | STAINLESS STEEL |
| K0522.1ATACBS | ALUMINIUM | TIMBER EFFECT | POWDER COAT | STAINLESS STEEL |

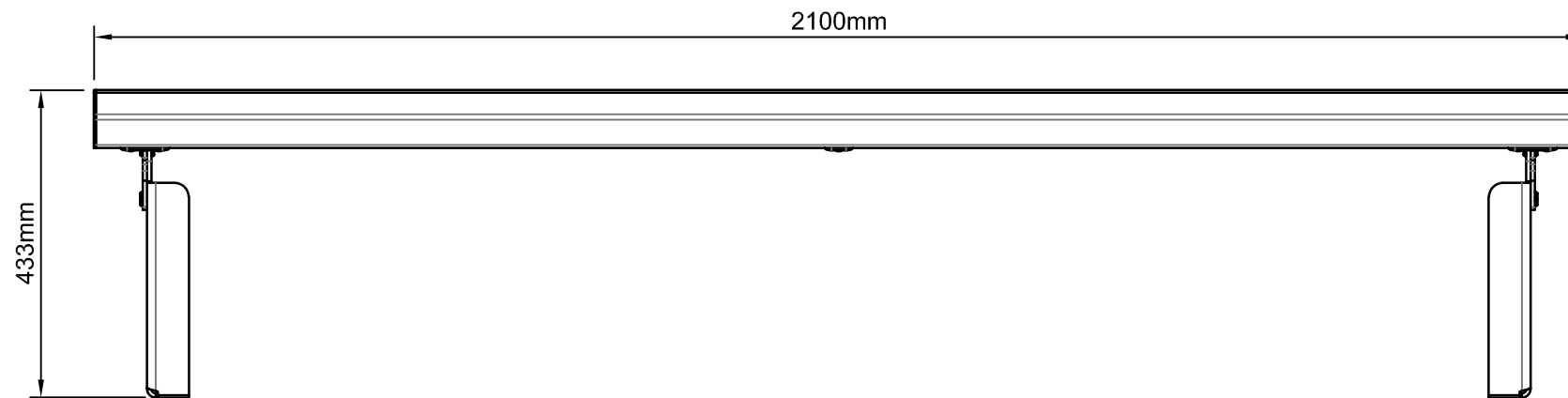
ALL DIMENSIONS IN MILLIMETRES - DO NOT SCALE



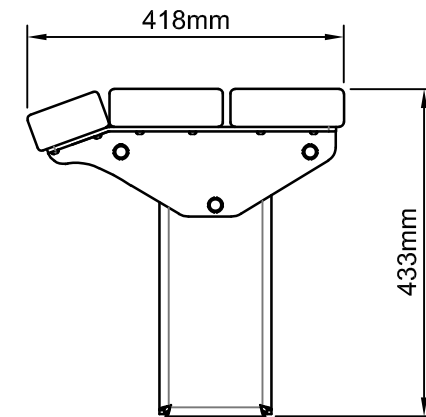
EXAMPLE RENDER:
K0522.1ATACBS



PLAN



FRONT ELEVATION



SIDE ELEVATION

| Revision History | | | | © LANDMARK PRODUCTS PTY LTD | | CLIENT NAME | | PROJECT No. | PAGE |
|------------------|----------------|------------|----------|---|-------|---|--|--------------------------|-------|
| Rev | Description | Date | Approved | THIS DOCUMENT IS AND SHALL REMAIN THE PROPERTY OF LANDMARK PRODUCTS PTY LTD. UNAUTHORISED USE OF THIS DOCUMENT IN ANY FORM IS PROHIBITED. | | LANDMARK PRODUCTS Pty Ltd | | K0522.1 | A3 |
| A | AMENDED DESIGN | 14/12/2023 | JAR | | | PROJECT | | DATE: | DRAWN |
| | | | | | | Landmark Products Pty Ltd PH: (03) 5831 2777 A.B.N. 99 112 000 843 FAX: (03) 5831 2681 6 / 26 Flinders Parade, Northlakes, QLD 4509 <small>www.landmarkproducts.com.au landmark@landmarkpro.com.au</small> | | SAN MARCO - BENCH - 2100 | |
| | | | | CHECKED BY: | DATE: | DRAWING TITLE | | DRAWING No. | SCALE |
| | | | | | | PRELIMINARY DRAWING | | K0522.1 | 1:10 |
| | | | | | | | | SHEET No. | REV. |
| | | | | | | | | 1/1 | A |