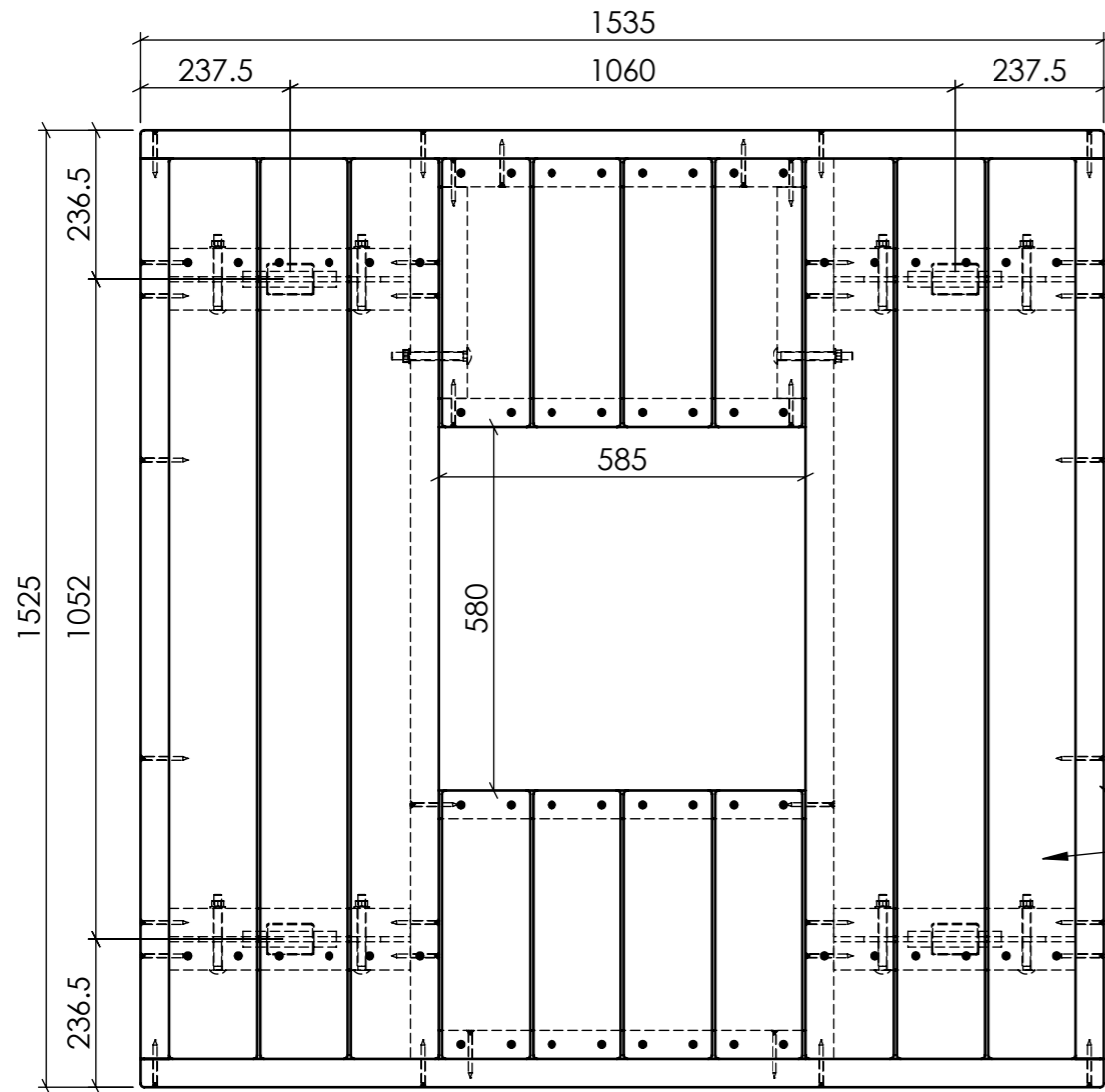


ALL DIMENSIONS IN MILLIMETRES - DO NOT SCALE

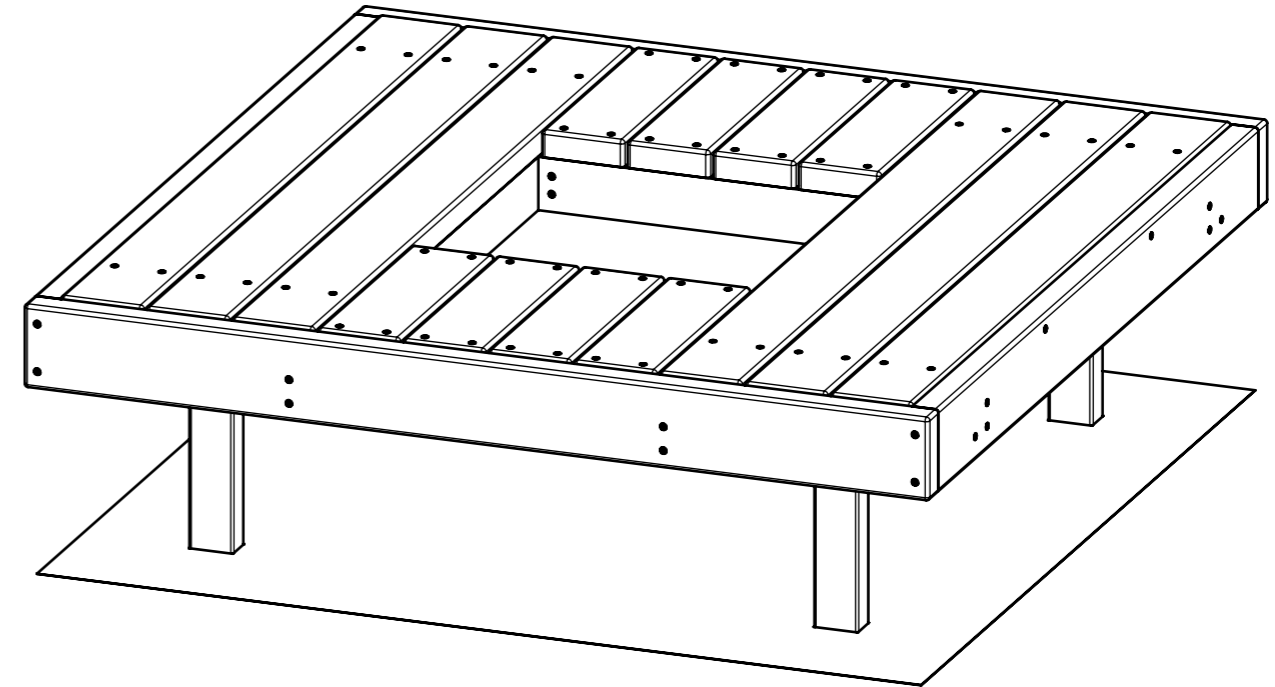
PRELIMINARY DRAWING ONLY

NOTES:

1. ALL TIMBER TO BE L.O.S.P. TREATED MGP12 PINE.
2. ALL FIXINGS & BRACKETS TO BE GALVANISED.

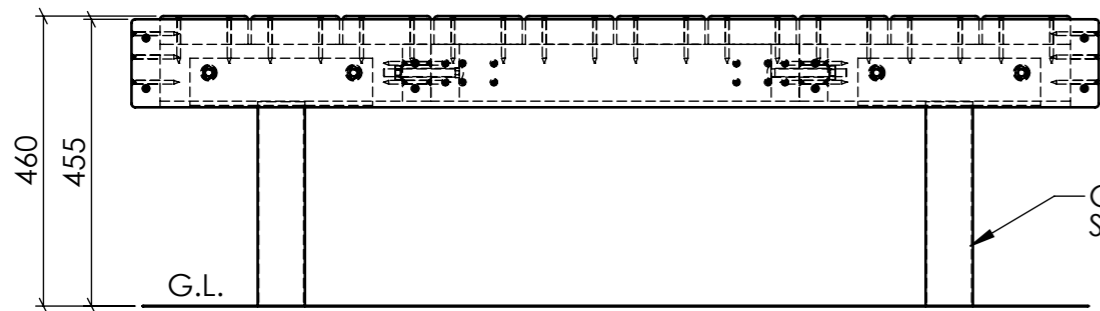


TOP VIEW



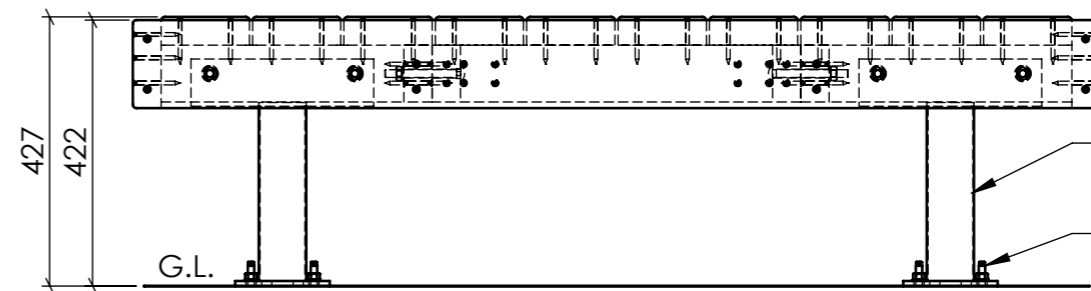
PICTORIAL
(IN-GROUND SHOWN)

PINE SEAT BOARDS & FRAMING



SIDE VIEW
(IN-GROUND SHOWN)

GALV IN-GROUND
SUPPORT BRACKET



SIDE VIEW
(BOLT DOWN SHOWN)

GALV BOLT DOWN
SUPPORT BRACKET

M10 CHEMSET
w/NUT & WASHER (GALV)

REVISION	DATE:	DRAWN BY:	© LANDMARK PRODUCTS LIMITED THIS DOCUMENT IS AND SHALL REMAIN THE PROPERTY OF LANDMARK PRODUCTS LIMITED. UNAUTHORISED USE OF THIS DOCUMENT IN ANY FORM IS PROHIBITED.	CLIENT NAME	PROJECT No.	PAGE
6 -	-	-	<p>Landmark Products Limited. PH: 1300 768 230 A.B.N. 99 112 000 843 FAX: 1300 768 260 55-57 Kabi Circuit, Deception Bay www.landmarkpro.com.au P.O. Box 603, Deception Bay Queensland 4508 landmark@landmarkpro.com.au</p>	-	-	A3
5 -	-	-		PROJECT	DATE:	DRAWN
4 -	-	-		LANDMARK STANDARD PRODUCTS	15/09/2010	GWL
3 -	-	-		K004 "TUMUT" TREE SURROUND - 1.5 x 1.5m, PG, IG & BD	KIT No.	SCALE
2 -	-	-		DRAWING TITLE	K004-1.5 PG	1:12
1 BOLT DOWN DETAILS CHANGED	02/03/11	GWL		PRELIMINARY	SHEET No.	REV.
				001	1	