



Quality
ISO 9001
SAI GLOBAL

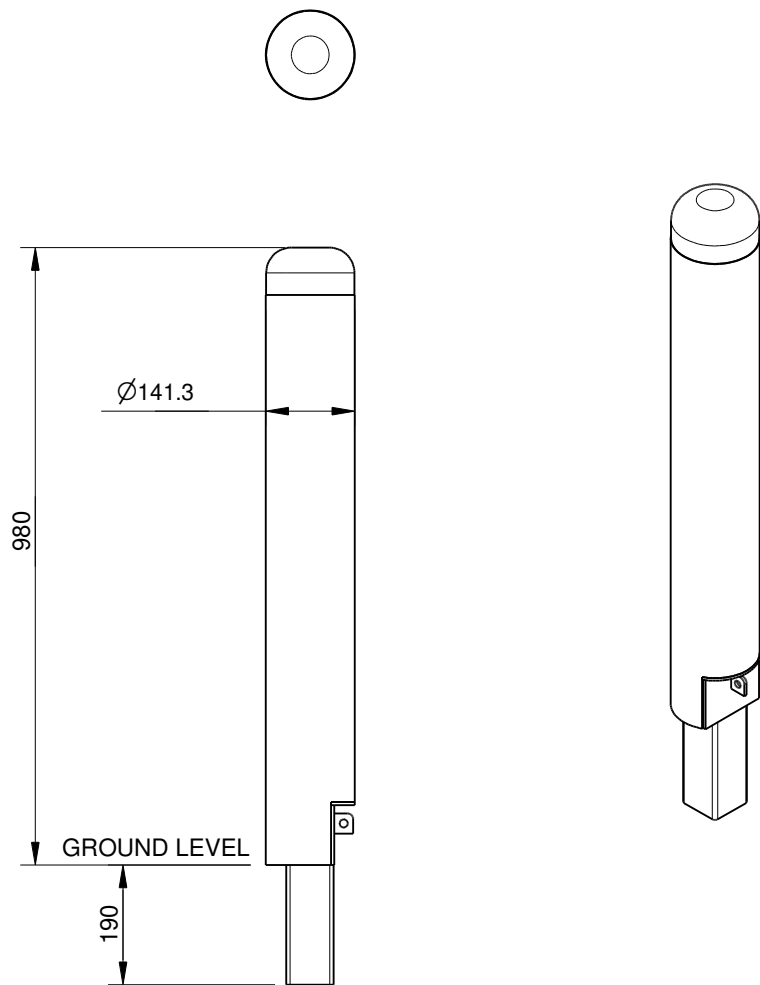
SPECIFICATION:

Material:
304 Stainless Steel

Dimensions:
All in mm unless otherwise stated

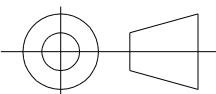
Finish:
Polished

Ground Fixings:
Removable.
Attaches to in ground component (FFSB008036)



CONFIDENTIAL

REVISION	#	DESCRIPTION	BY	DATE	DRAWN	DRAWN DATE	CHECKED	CHECKED DATE	SCALE	A4
	1	1	ORIGINAL DRAWING	RBC	7.3.14	R.CRIGTON	7.3.14			
2	2									
3	3									
4	4									
5	5									



STAINLESS STEEL BOLLARD 125NB - REMOVABLE
SPEC.

FFSC008010

REV.
1

SHEET
1 OF 3