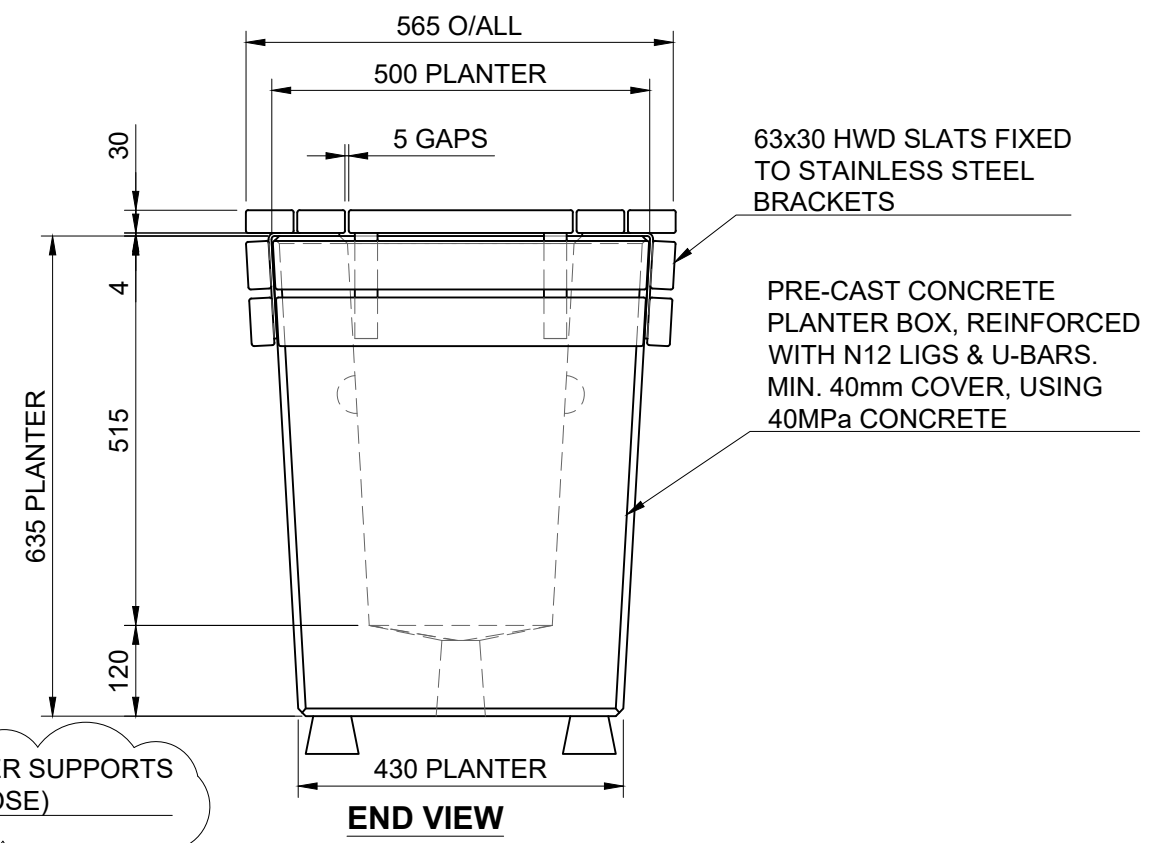
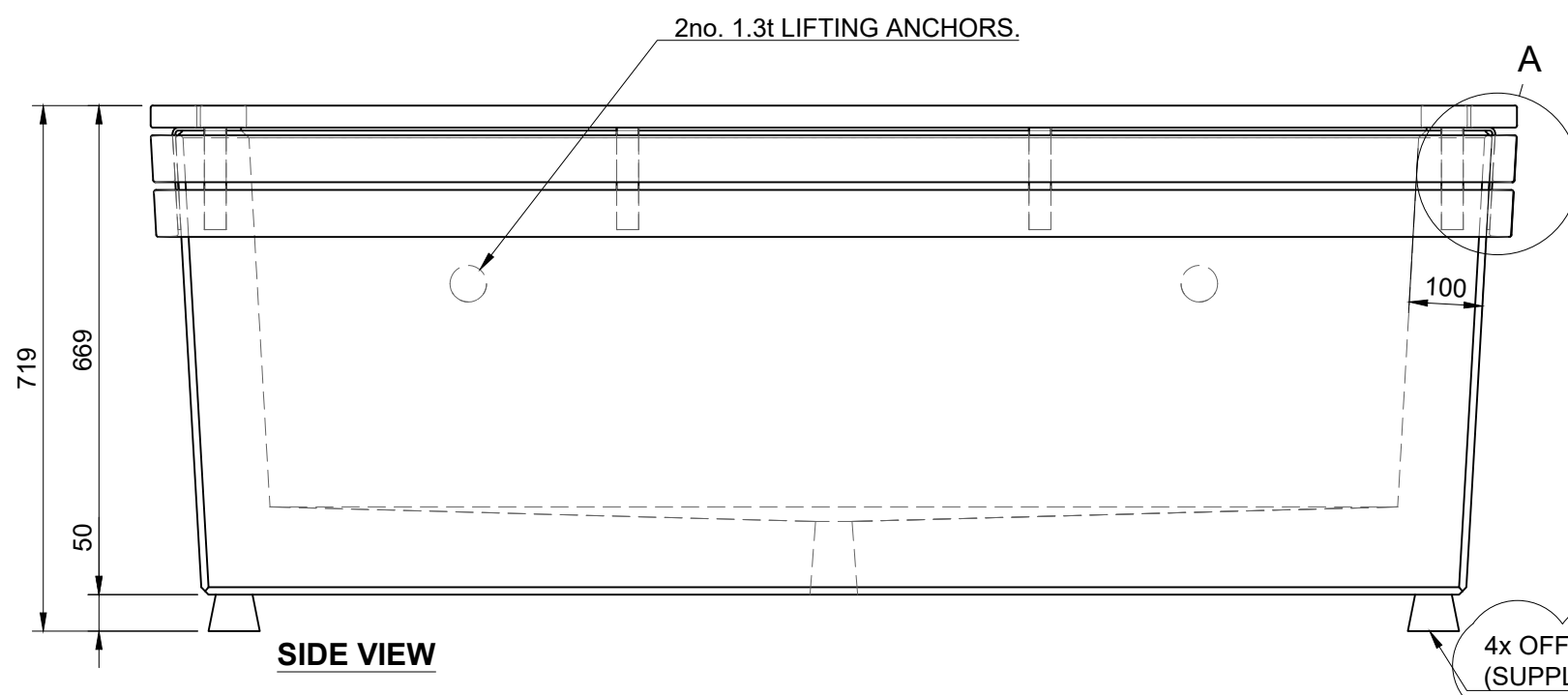
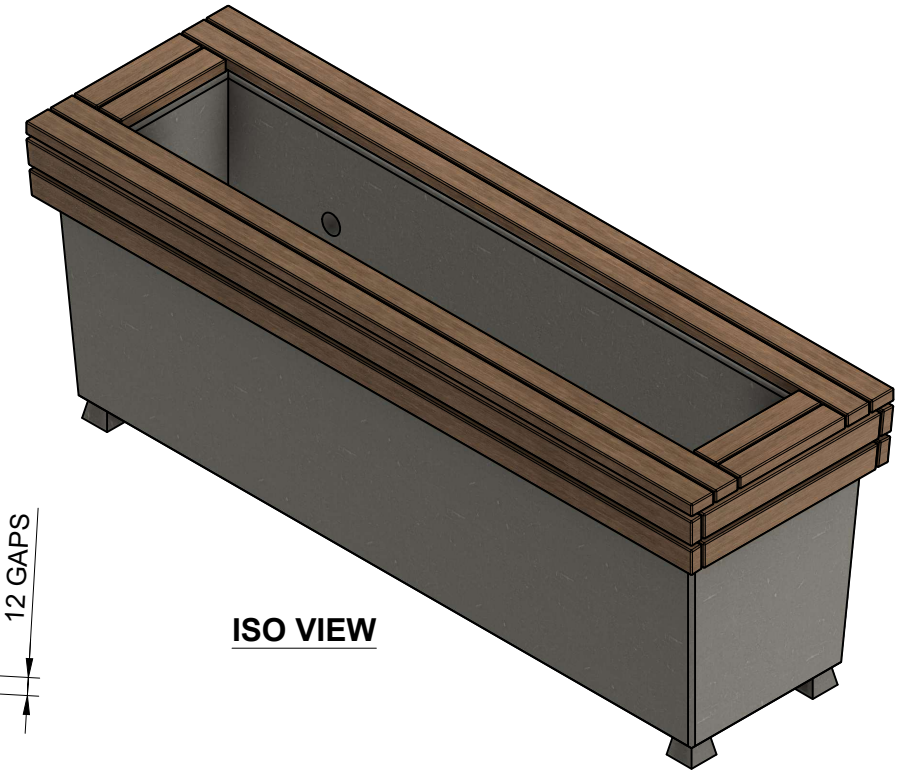
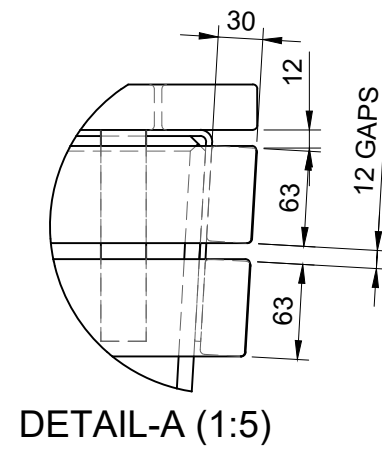
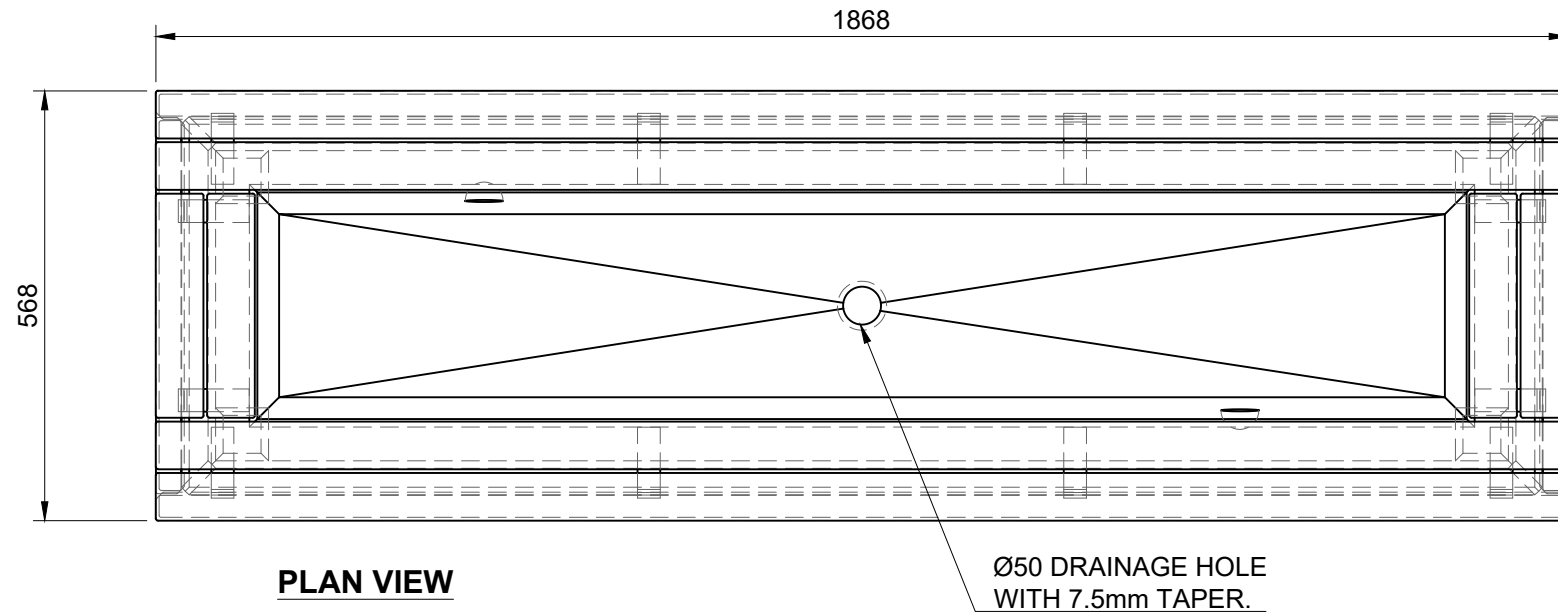


ALL DIMENSIONS IN MILLIMETRES - DO NOT SCALE

IMPACT SECURITY RANGE

FFSB014008 - Planter Box - 1800mm Rectangle

Approx. Weight: 846.05 kg



Revision History				© LANDMARK PRODUCTS PTY LTD		CLIENT NAME		PROJECT No.	PAGE
Rev	Description	Date	Approved	THIS DOCUMENT IS AND SHALL REMAIN THE PROPERTY OF LANDMARK PRODUCTS PTY LTD. UNAUTHORISED USE OF THIS DOCUMENT IN ANY FORM IS PROHIBITED.		Landmark Products Pty Ltd		FFSB014008	A3
1	NOTE AMENDED AS CLOUDED	24/01/2025	JAR			PROJECT		DATE:	DRAWN
						FFSB014008 - Planter Box - 1800 Rectangle		31/10/2024	
				CHECKED BY:	DATE:	DRAWING TITLE		DRAWING No.	SCALE
						Planter Box - 1800mm Rectangle		DWG SPEC	1:10
				Landmark Products Pty Ltd PH: (03) 5831 2777 A.B.N. 99 112 000 843 FAX: (03) 5831 2681 6 / 26 Flinders Parade, www.landmarkproducts.com.au Northlakes, QLD 4509 landmark@landmarkpro.com.au		PART No.		SHEET No.	REV.
						FFSB014008		1/1	1