

AQUA-HUB CODES:

- FFSB009030 – DISABLE BODY AQUA-HUB – BUBBLER ONLY.
- FFSB009031 – DISABLE BODY AQUA-HUB – BUBBLER AND BOTTLE FILLER ONLY.
- FFSB009032 – DISABLE BODY AQUA-HUB – BUBBLER AND PET PANEL ONLY.
- FFSB009033 – DISABLE BODY AQUA-HUB – BUBBLER/BOTTLE FILLER AND PET PANEL.

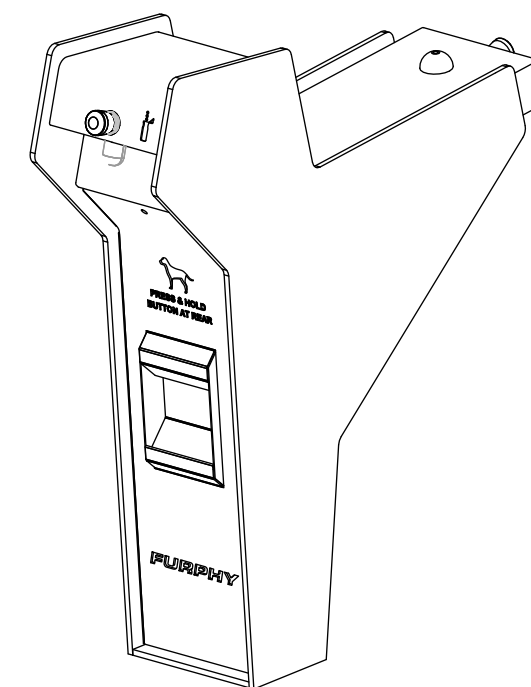
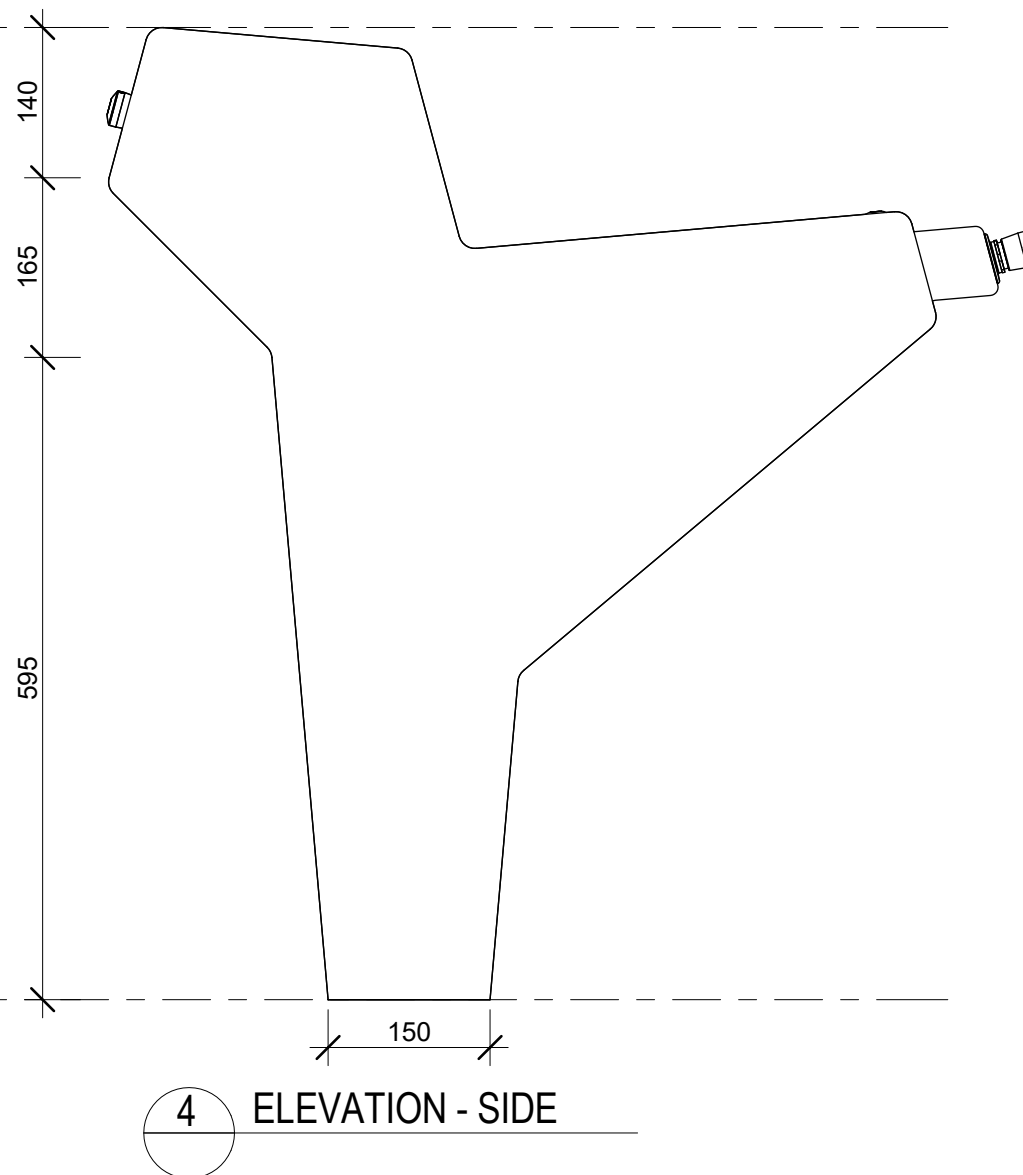
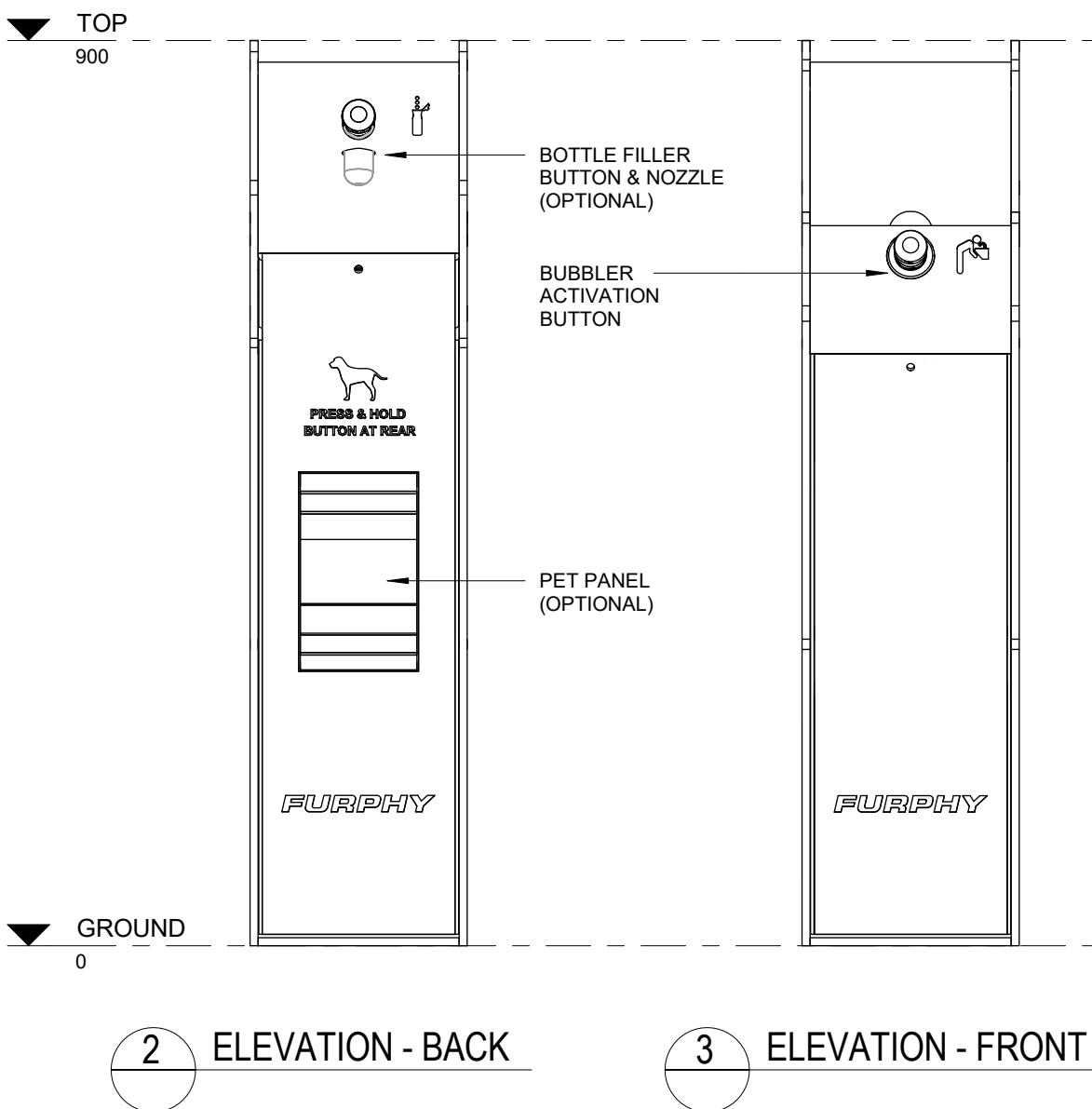
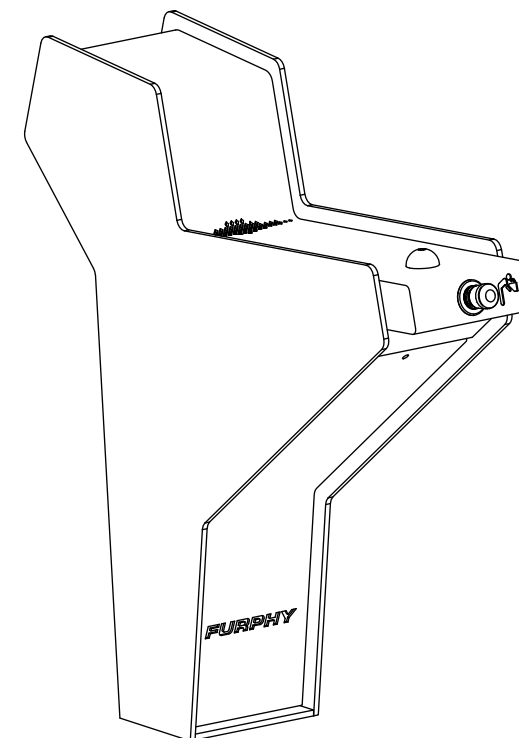
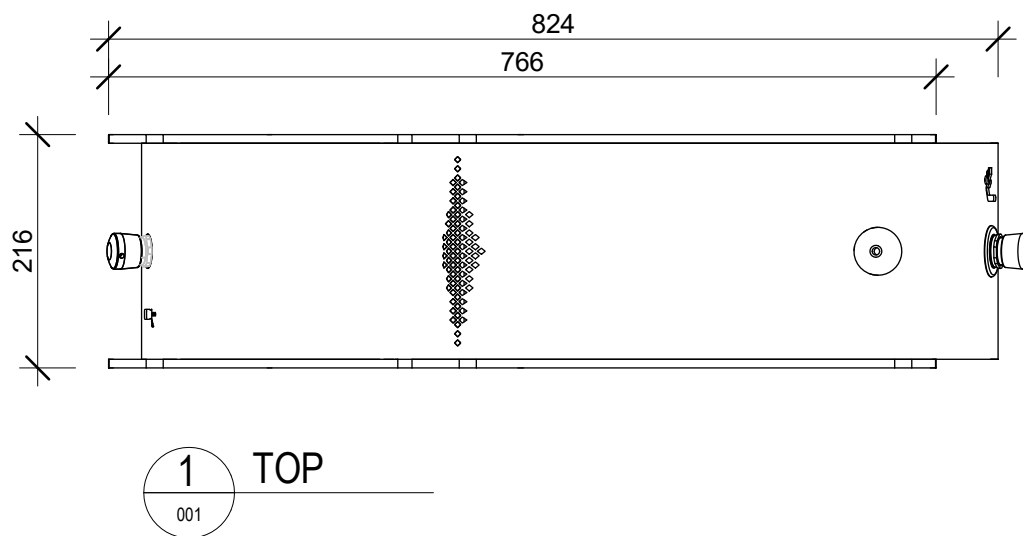
SPECIFICATION:

MATERIALS / FINISHES:

STAINLESS STEEL PUSH BUTTON BUBBLER, BOTTLE FILLER AND PET BOWL.
 MILD STEEL BODY WITH 304 GRADE STAINLESS STEEL INFILL PANELS.
 POWDERCOATED BODY.

NOTES:

RAG BOLT ASSEMBLY FOR BOLTDOWN FIXING INCLUDED.
 ALL DIMENSIONS IN MILLIMETERS UNLESS OTHERWISE STATED.
 REFER AQUA-HUB CODES FOR WHICH OPTIONS ARE INCLUDED.
 WHEELCHAIR ACCESSIBLE



AQUA-HUB
DISABLE BODY AQUA-HUB MODEL
PRELIMINARY DRAWING



FURPHY FOUNDRY PTY LTD
 PH: (03) 5831 2777
 FAX: (03) 5831 2681
 A.B.N. 24 007 195 913
 www.furphyfoundry.com.au 21 Drummond Rd,
 sales@furphyfoundry.com.au Shepparton VIC 3630

THIS DOCUMENT IS AND SHALL REMAIN THE PROPERTY OF FURPHY FOUNDRY.
 UNAUTHORISED USE OF THIS DOCUMENT IN ANY FORM IS PROHIBITED.