



Quality
ISO 9001



SPECIFICATION:

MATERIAL:

Mild steel unless otherwise stated
Slats - Hardwood timber 63x30mm

DIMENSIONS:

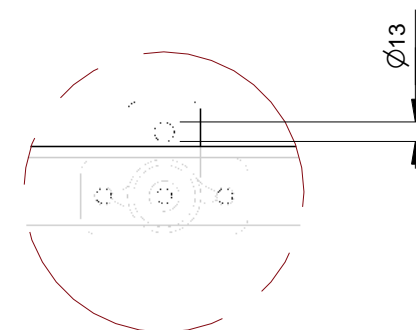
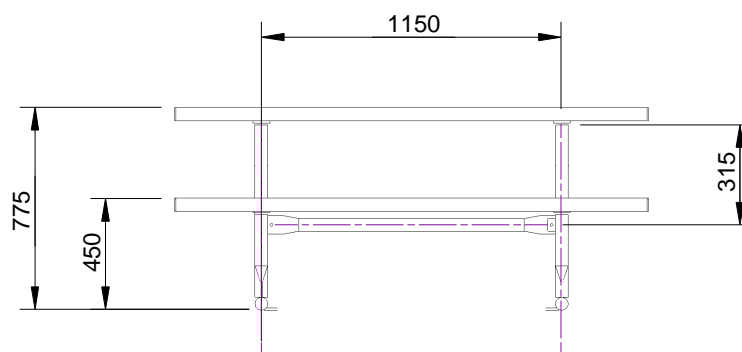
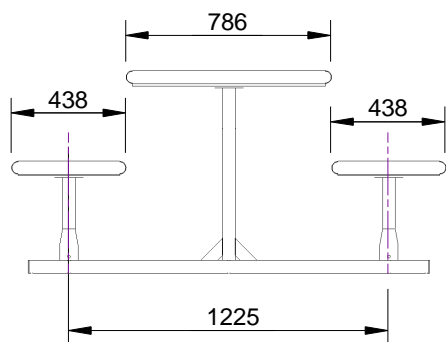
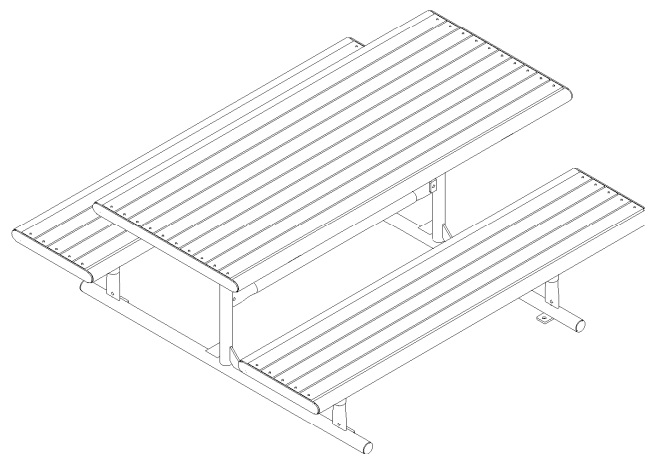
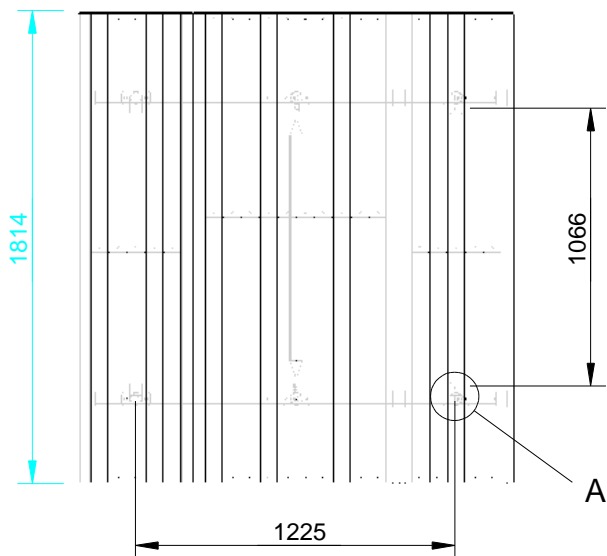
All in mm unless otherwise stated

FINISH:

Steel - Galvanised and optional Powder Coat
Timber - Oil Based

GROUND FIXINGS:

Bolt down



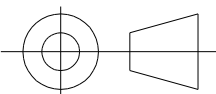
DETAIL A
BOLT DOWN DETAIL
TIMBER SLATS REMOVED
FOR CLARRITY



copyright

CONFIDENTIAL

REVISION	#	DESCRIPTION	BY	DATE	DRAWN	DRAWN DATE	CHECKED	CHECKED DATE	SCALE	A4
	1	ORIGINAL DRAWING	DN	24.8.10	R.CRIGTON	6.11.13			N/A	
2	FULL PRODUCT REVIEW	RBC	6.11.13							
3										
4										
5										



WOODGROVE SETTING - ALL IN ONE
SPEC.

FFSB004003

REV.
2

SHEET
1 OF 4