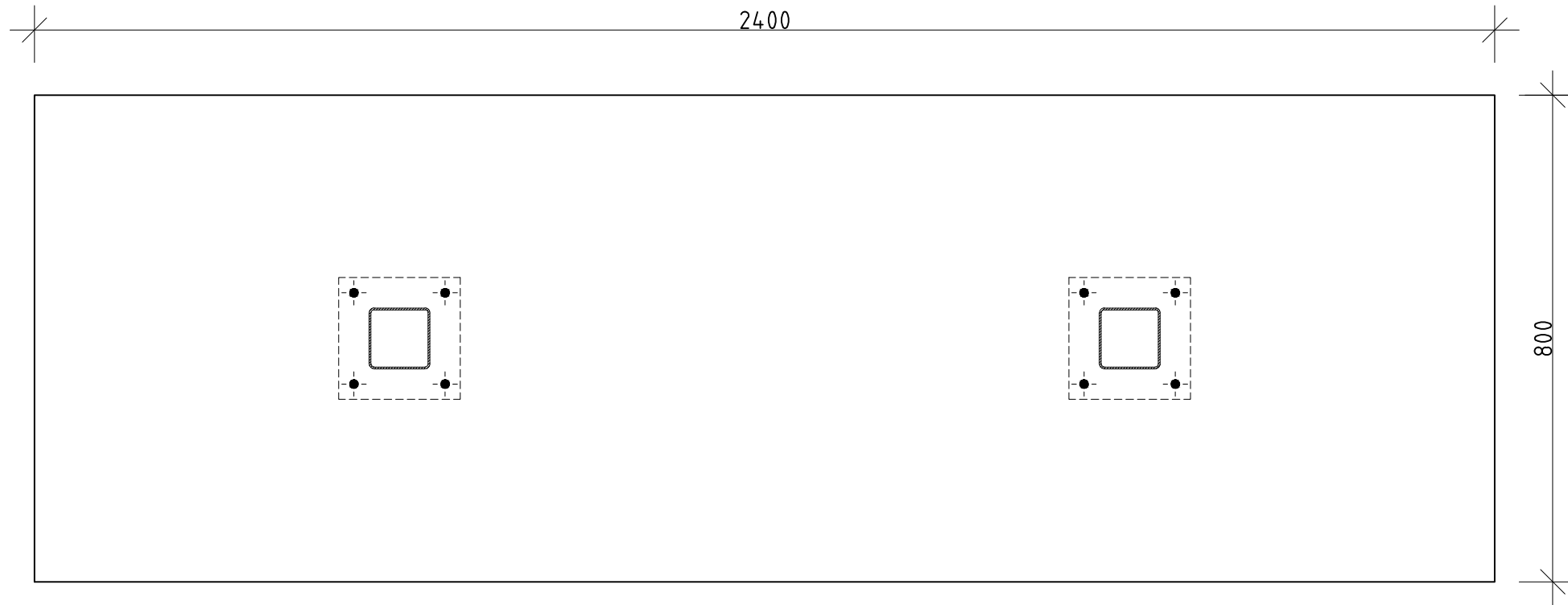


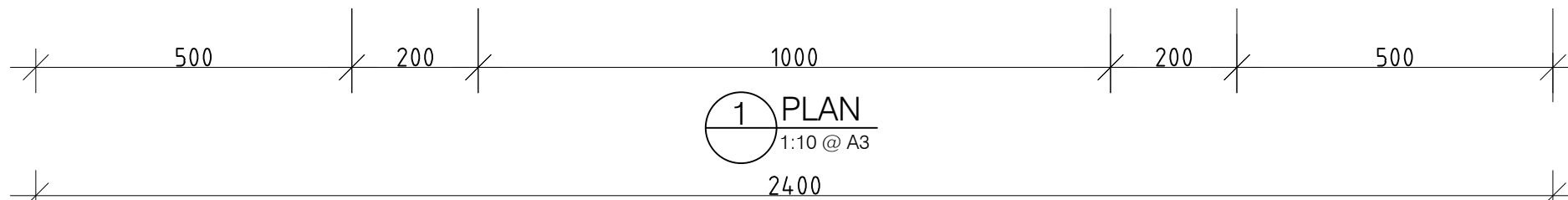
# PRECINCT STANDARD TABLE

ALL DIMENSIONS IN MILLIMETRES - DO NOT SCALE

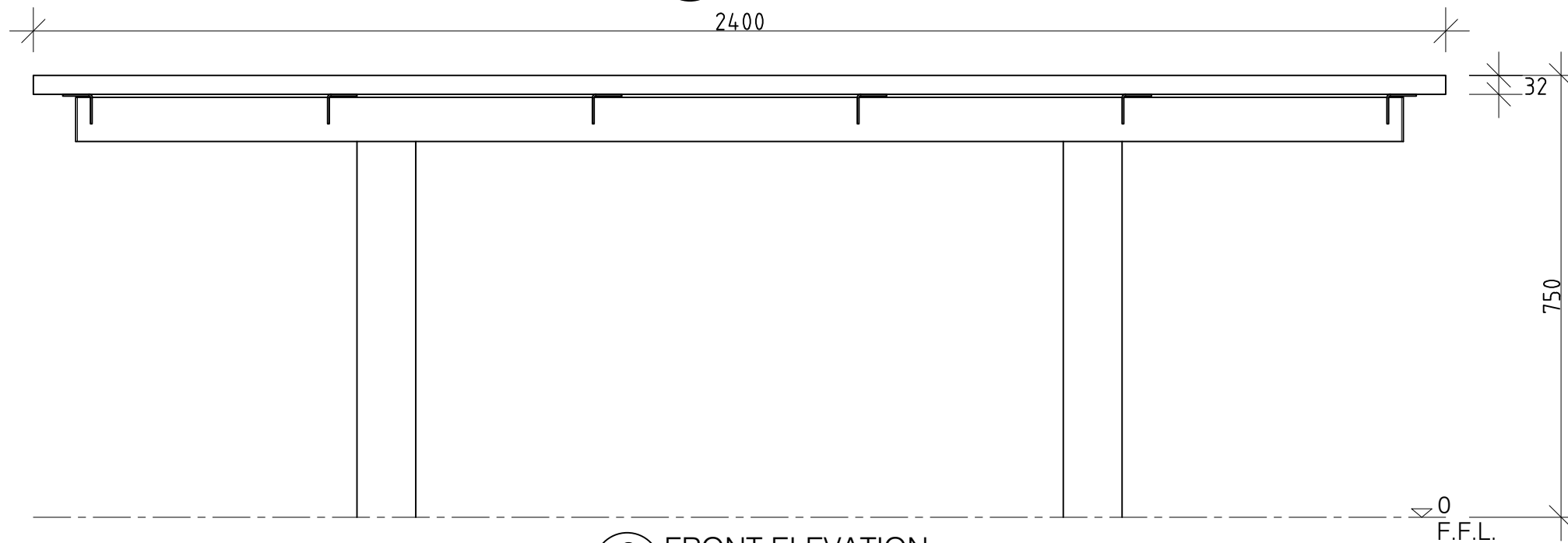
2400mm TABLE - BOLT BELOW



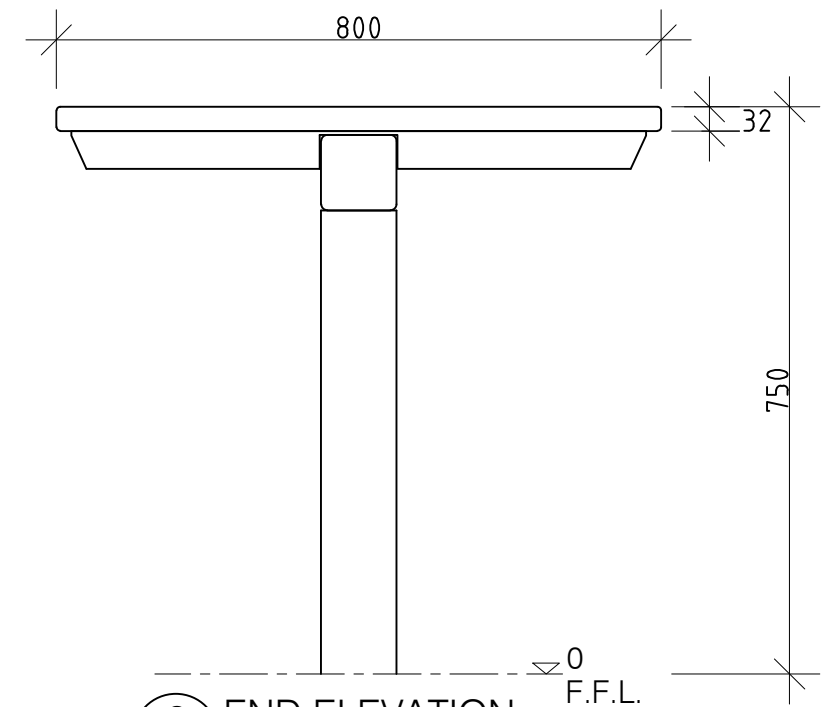
4 PERSPECTIVE  
N.T.S.



1 PLAN  
1:10 @ A3

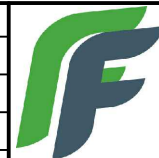


2 FRONT ELEVATION  
1:10 @ A3



3 END ELEVATION  
1:10 @ A3

REVISION	DATE:	DRAWN BY.
6	-	-
5	-	-
4	-	-
3	-	-
2	-	-
1	-	-



© FURPHY FOUNDRY PTY LTD  
THIS DOCUMENT IS AND SHALL REMAIN THE PROPERTY OF FURPHY FOUNDRY. UNAUTHORISED USE OF THIS DOCUMENT IN ANY FORM IS PROHIBITED.



Furphy Foundry Pty Ltd PH: (03) 5831 2777  
A.B.N. 24 007 195 913 FAX: (03) 5831 2681  
21 Drummond Rd, www.furphyfoundry.com.au  
Shepparton VIC 3630 sales@furphyfoundry.com.au

CLIENT NAME <b>FURPHY FOUNDRY</b>	PROJECT No. <b>FFSB003500</b>	PAGE <b>A3</b>
PROJECT <b>PRECINCT RANGE PRECINCT TABLE - 2400mm</b>	DATE: <b>18-12-19</b>	DRAWN <b>PS</b>
DRAWING TITLE <b>PRELIMINARY</b>	DRAWING No. <b>FFSB003500</b>	SCALE <b>NOTED</b>
	SHEET No. <b>001</b>	REV. <b>0</b>