



Quality  
ISO 9001  
SAI GLOBAL

## SPECIFICATION:

### MATERIAL:

Mild steel unless otherwise stated  
Slats: Hardwood Timber 63x30mm

### DIMENSIONS:

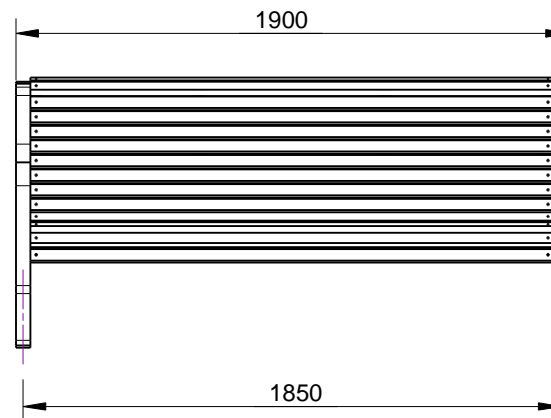
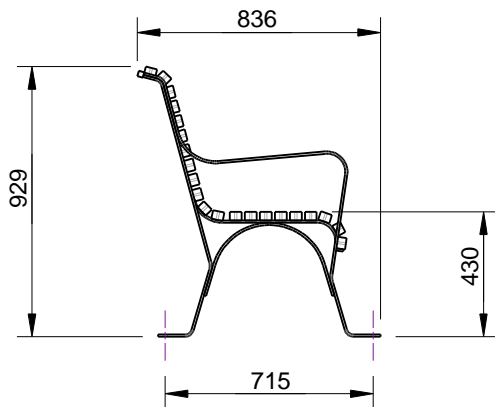
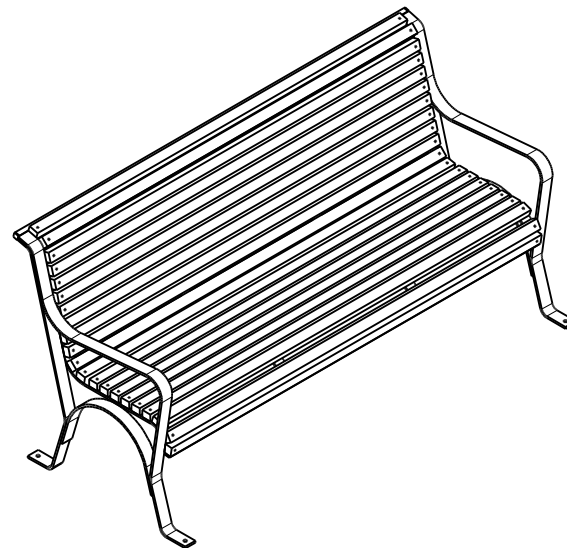
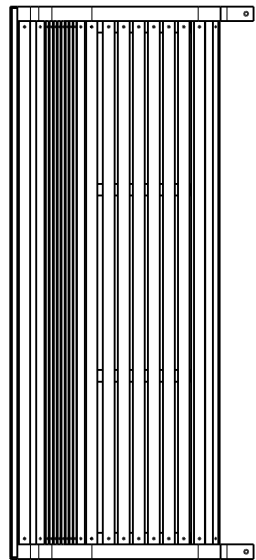
All in mm unless otherwise stated

### FINISH:

Steel - Galvanised and optional Powder Coat  
Timber - Oil Based

### GROUND FIXINGS:

Bolt Down



#### BOLT DOWN DETAIL

Ø12 THRU  
4 LOCATIONS



CONFIDENTIAL

REVISION #	DESCRIPTION	BY	DATE	DRAWN	DRAWN DATE	CHECKED	CHECKED DATE	SCALE	
								N/A	
1	ORIGINAL DRAWING	DN	6.7.10	R.CRIGTON	14.12.13			A4	
2	FULL PRODUCT REVIEW	RBC	14.12.13					PARK SEAT SPEC.	
3									
4									
5									
						FFSB002013		REV. 2	SHEET 1 OF 3