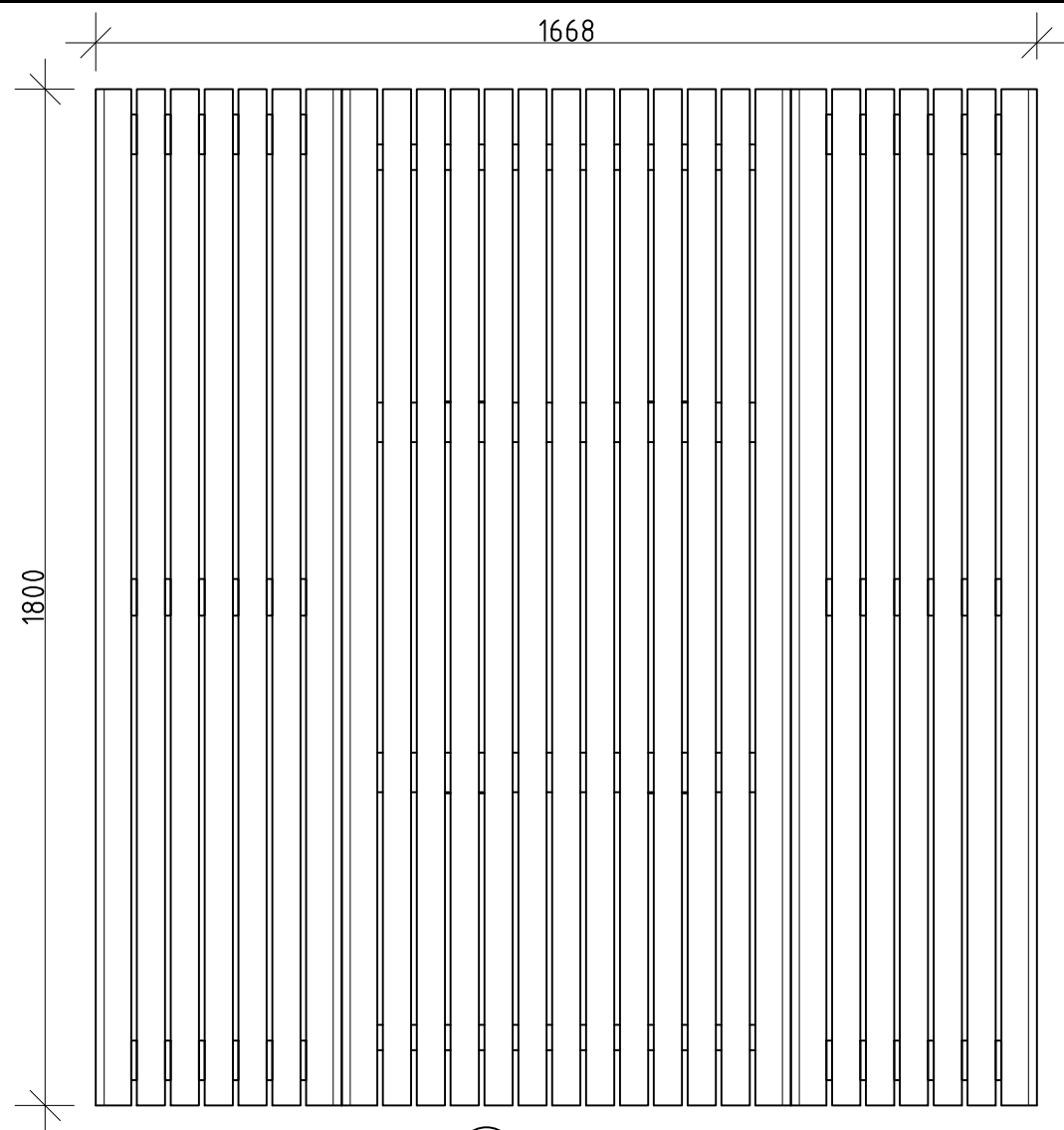


ALL DIMENSIONS IN MILLIMETRES - DO NOT SCALE

# FULCRUM RANGE

FFSA004016 1800mm PICNIC SETTING - BOLT DOWN (WCA BOTH ENDS)

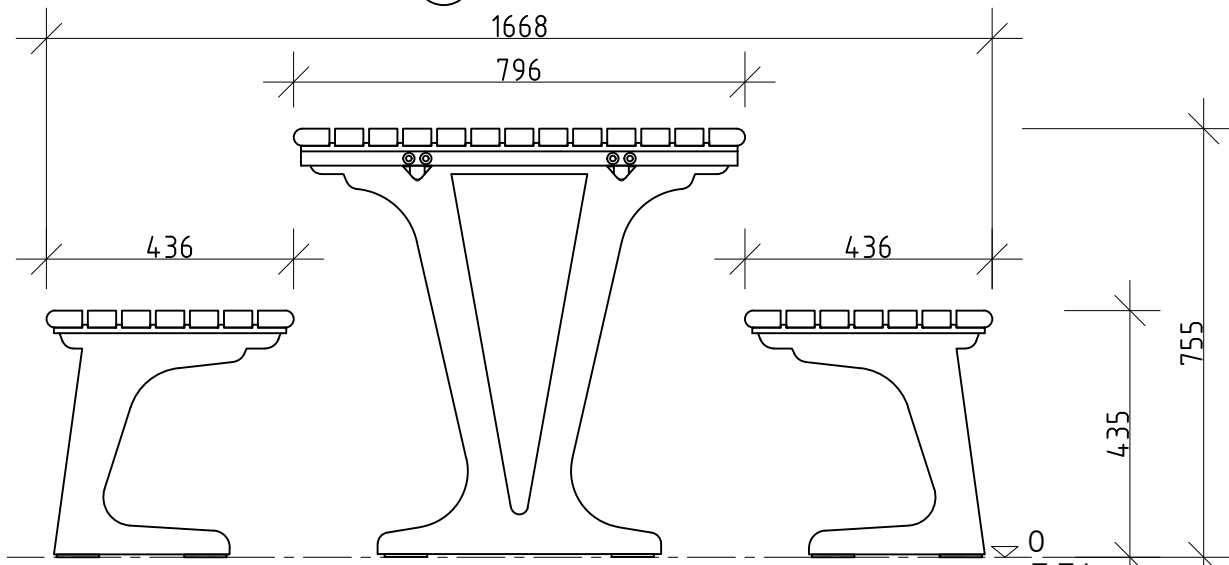


1 PLAN  
1:15 @ A3

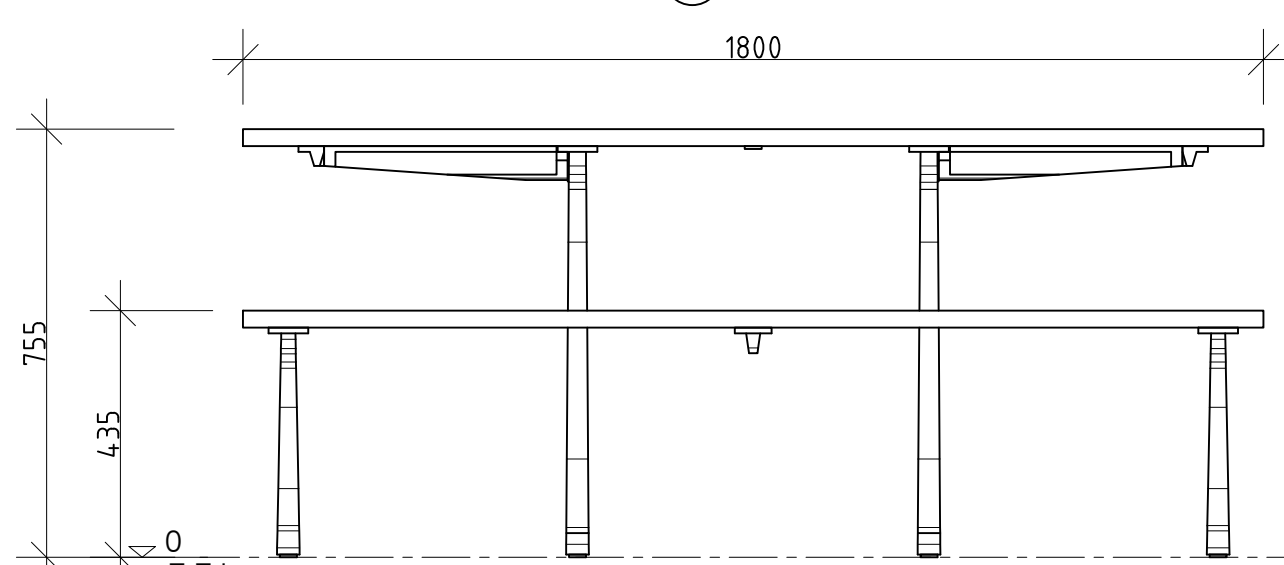


Slats available in:  
**Hardwood Timber (FFSA004016)**  
**Aluminium (FFSA004016A)**

4 PERSPECTIVE  
N.T.S.



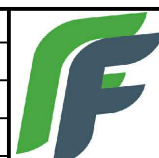
2 END ELEVATION  
1:15 @ A3



3 FRONT ELEVATION  
1:15 @ A3

REVISION	DATE:	DRAWN BY:
6		
5		
4		
3		
2		
1		

DATE:	DRAWN BY:



**FURPHY FOUNDRY PTY LTD**  
 THIS DOCUMENT IS AND SHALL REMAIN THE PROPERTY OF FURPHY FOUNDRY. UNAUTHORISED USE OF THIS DOCUMENT IN ANY FORM IS PROHIBITED.



Furphy Foundry Pty Ltd  
 A.B.N. 24 007 195 913  
 21 Drummond Rd,  
 Shepparton VIC 3630

PH: (03) 5831 2777  
 FAX: (03) 5831 2681  
 www.furphyfoundry.com.au  
 sales@furphyfoundry.com.au

CLIENT NAME <b>FURPHY FOUNDRY</b>	PROJECT No. <b>FFSA004016</b>	PAGE <b>A3</b>
PROJECT <b>FULCRUM PICNIC SETTING - BOLT DOWN (WCA BOTH ENDS)</b>	DATE: <b>07-11-19</b>	DRAWN <b>PS</b>
DRAWING TITLE <b>PRELIMINARY</b>	DRAWING No. <b>046</b>	SCALE <b>NOTED</b>
	SHEET No. <b>001</b>	REV. <b>1</b>