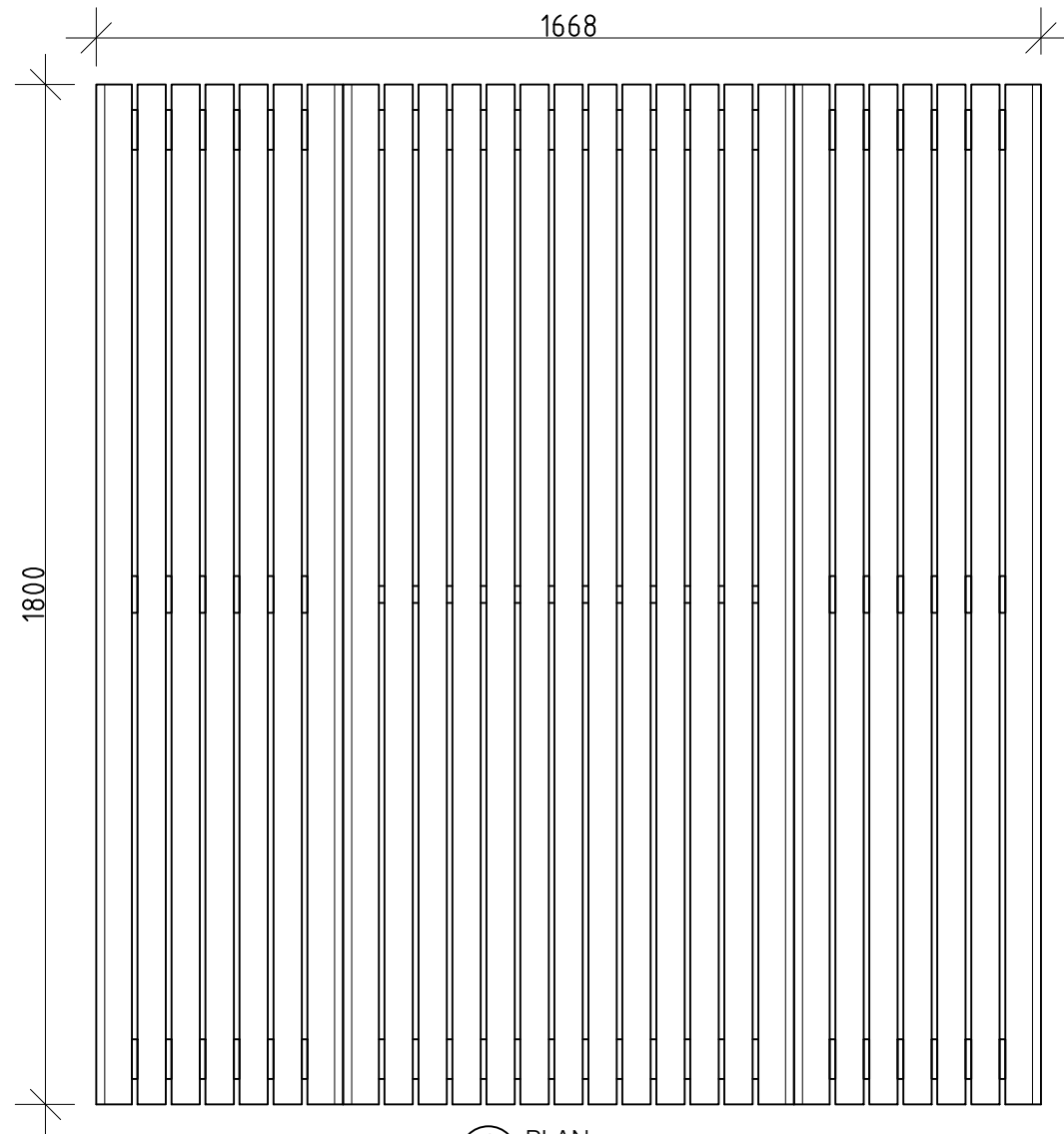


ALL DIMENSIONS IN MILLIMETRES - DO NOT SCALE

# FULCRUM RANGE

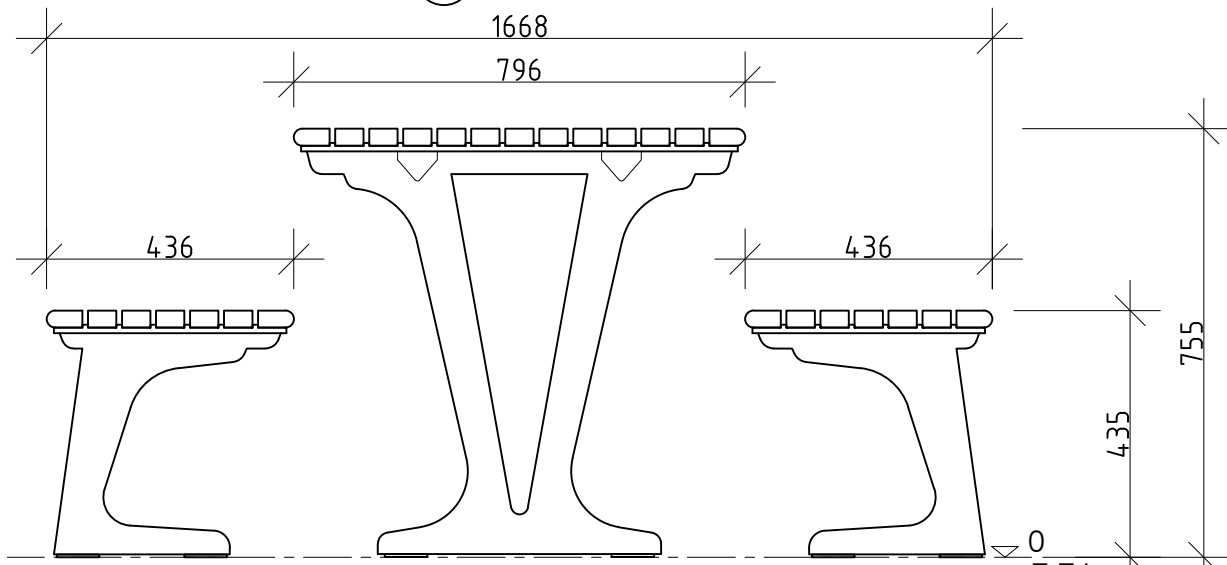
FFSA004013 1800mm PICNIC SETTING - BOLT DOWN



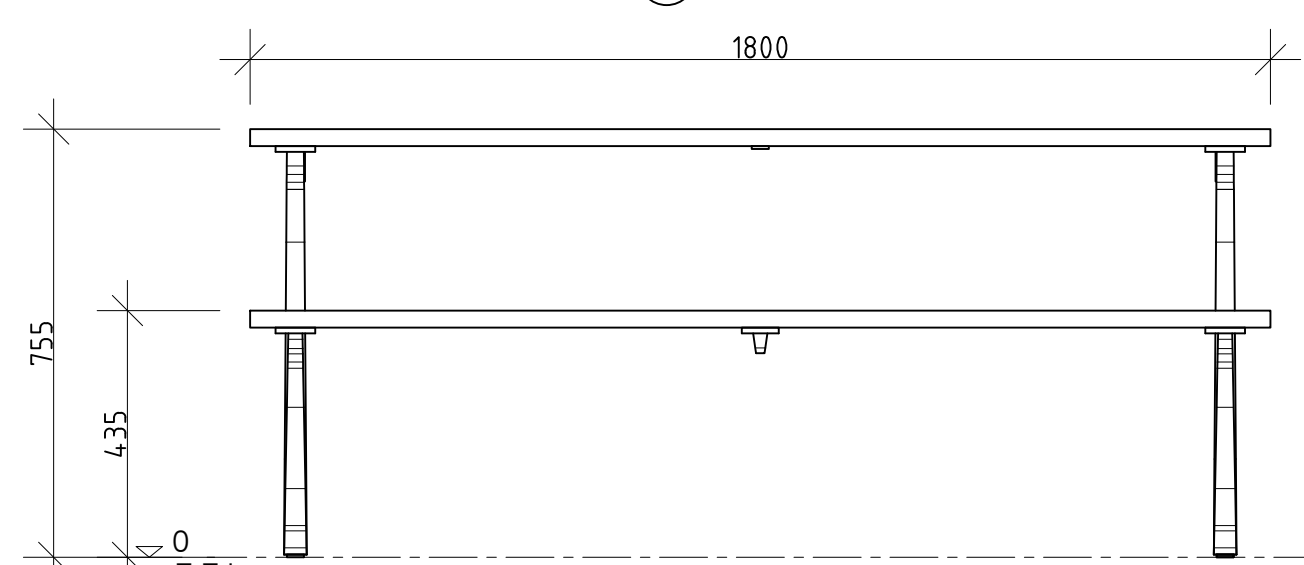
1 PLAN  
1:15 @ A3



4 PERSPECTIVE  
N.T.S.



2 END ELEVATION  
1:15 @ A3

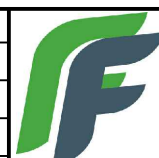


3 FRONT ELEVATION  
1:15 @ A3

Slats available in:  
**Hardwood Timber (FFSA004013)**  
**Aluminium (FFSA004013A)**

REVISION	DATE:	DRAWN BY:
6		
5		
4		
3		
2		
1		

DATE:	DRAWN BY:



**FURPHY FOUNDRY PTY LTD**  
 THIS DOCUMENT IS AND SHALL REMAIN THE PROPERTY OF FURPHY FOUNDRY. UNAUTHORISED USE OF THIS DOCUMENT IN ANY FORM IS PROHIBITED.



Furphy Foundry Pty Ltd  
 A.B.N. 24 007 195 913  
 21 Drummond Rd,  
 Shepparton VIC 3630

PH: (03) 5831 2777  
 FAX: (03) 5831 2681  
 www.furphyfoundry.com.au  
 sales@furphyfoundry.com.au

CLIENT NAME <b>FURPHY FOUNDRY</b>	PROJECT No. <b>FFSA004013</b>	PAGE <b>A3</b>
PROJECT <b>FULCRUM PICNIC SETTING - BOLT DOWN</b>	DATE: <b>07-11-19</b>	DRAWN <b>PS</b>
DRAWING TITLE <b>PRELIMINARY</b>	DRAWING No. <b>044</b>	SCALE <b>NOTED</b>
	SHEET No. <b>001</b>	REV. <b>1</b>

PROJECT No. <b>FFSA004013</b>	PAGE <b>A3</b>
DATE: <b>07-11-19</b>	DRAWN <b>PS</b>
DRAWING No. <b>044</b>	SCALE <b>NOTED</b>
SHEET No. <b>001</b>	REV. <b>1</b>