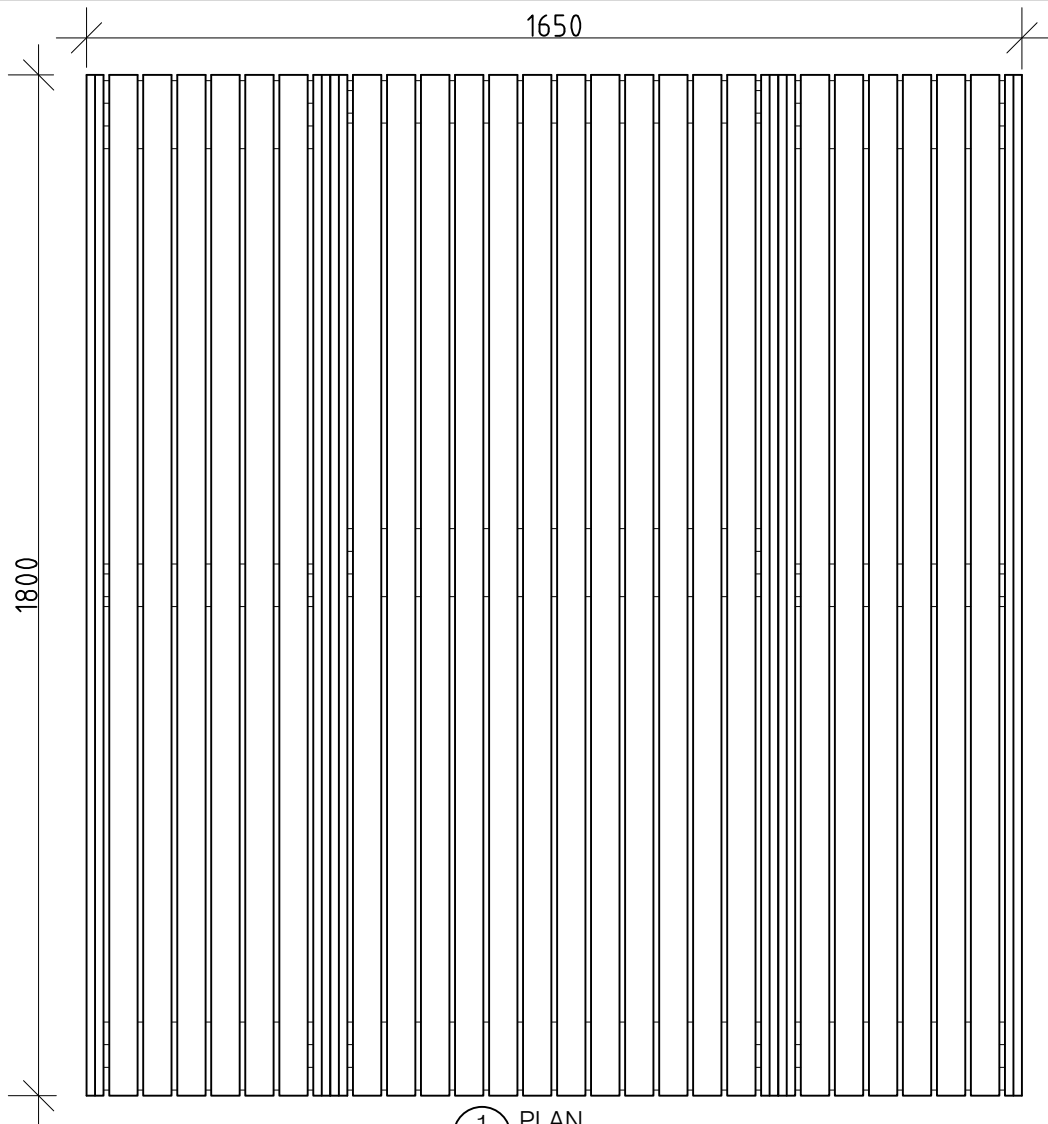


ALL DIMENSIONS IN MILLIMETRES - DO NOT SCALE

PROMENADE RANGE

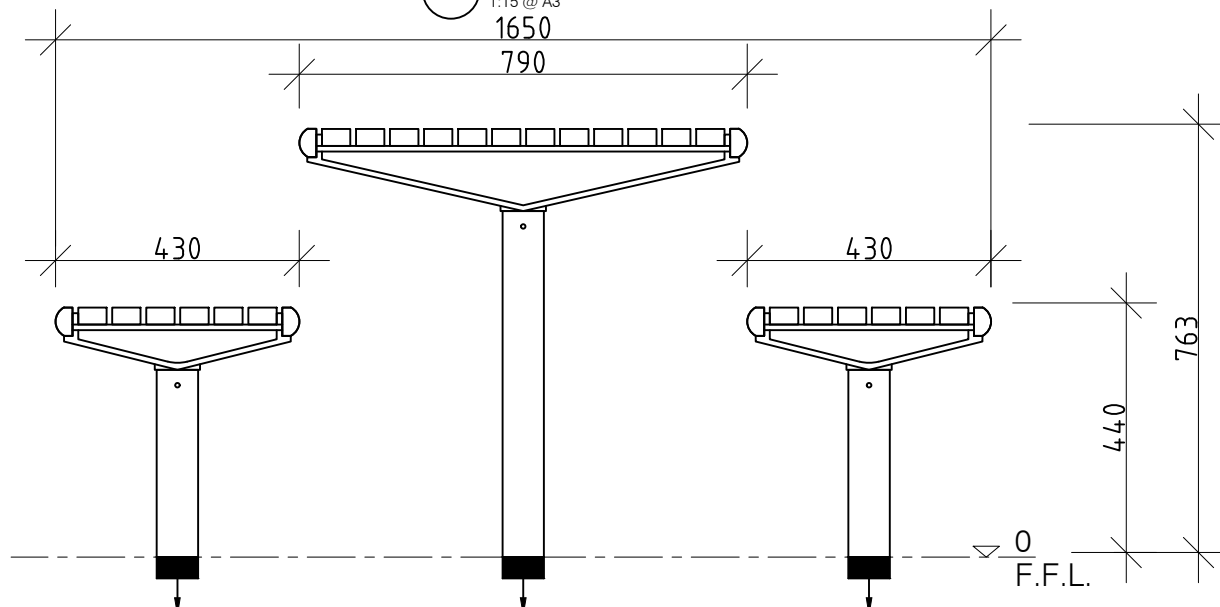
FFSB004012 1800mm PICNIC SETTING - IN GROUND (WCA ONE END)



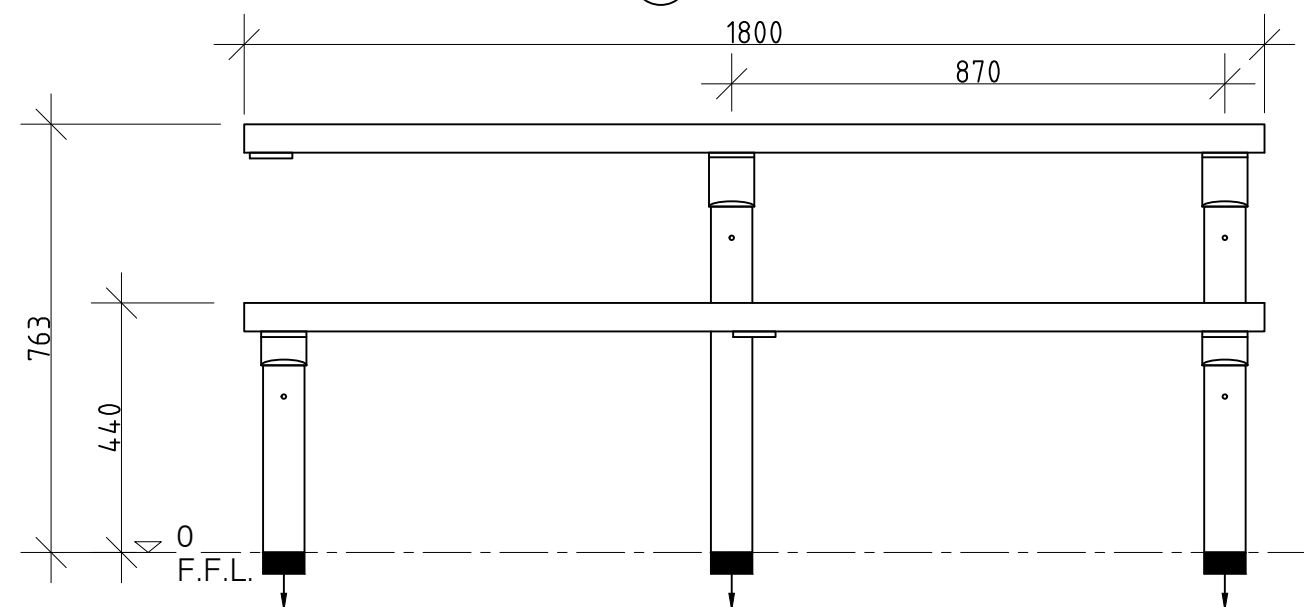
1 PLAN
1:15 @ A3



4 PERSPECTIVE
N.T.S.



2 END ELEVATION
1:15 @ A3



3 FRONT ELEVATION
1:15 @ A3

Slats available in:
Hardwood Timber (FFSA004012)
Aluminium (FFSA004012A)

REVISION	DATE:	DRAWN BY:
6		
5		
4		
3		
2		
1		

FURPHY FOUNDRY PTY LTD
 THIS DOCUMENT IS AND SHALL REMAIN THE PROPERTY OF FURPHY FOUNDRY. UNAUTHORISED USE OF THIS DOCUMENT IN ANY FORM IS PROHIBITED.

Furphy Foundry Pty Ltd
 A.B.N. 24 007 195 913
 21 Drummond Rd,
 Shepparton VIC 3630

PH: (03) 5831 2777
 FAX: (03) 5831 2681
 www.furphyfoundry.com.au
 sales@furphyfoundry.com.au

CLIENT NAME FURPHY FOUNDRY	PROJECT No. FFSA004012	PAGE A3
PROJECT PROMENADE PICNIC SETTING - IN GROUND (WCA ONE END)	DATE: 17-04-19	DRAWN PS
DRAWING TITLE PRELIMINARY	DRAWING No. 038	SCALE NOTED
	SHEET No. 001	REV. 1

PROJECT No. FFSA004012	PAGE A3
DATE: 17-04-19	DRAWN PS
DRAWING No. 038	SCALE NOTED
SHEET No. 001	REV. 1