

SPECIFICATION:

MATERIALS:

Seat Ends - Recycled Cast aluminium
 Timbers - Hardwood Timber
 Straps - Grade 304 Stainless steel
 Fixings - Grade 304 Stainless steel

DIMENSIONS:

mm unless otherwise stated

FINISH:

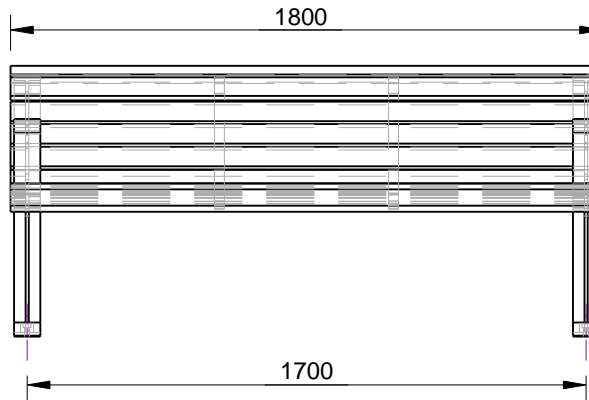
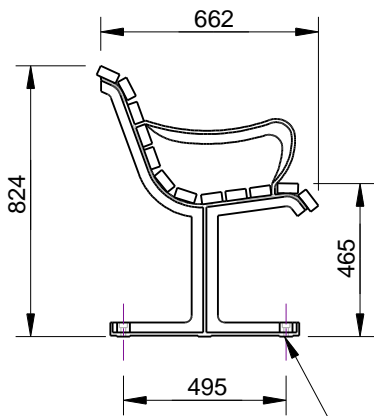
Castings - Powder Coat or Mill Finish
 Strap - Linished
 Timber - Oil Based

GROUND FIXING:

Bolt down



Quality
 ISO 9001
 SAI GLOBAL



BOLT DOWN DETAIL

Ø14 THRU
 Ø24 C.B. 16 DEEP
 4 LOCATIONS



CONFIDENTIAL

REVISION	#	DESCRIPTION	BY	DATE	DRAWN	DRAWN DATE	CHECKED	CHECKED DATE	SCALE	A4
	1	ORIGINAL DRAWING	DN	16.5.11	R.CRIGTON	4.12.13			N/A	
2	FULL PRODUCT REVIEW	RBC	4.12.13							
3										
4										
5										

FORESHORE SEAT
SPEC.

FFSA002025

REV.
2

SHEET
1 OF 3