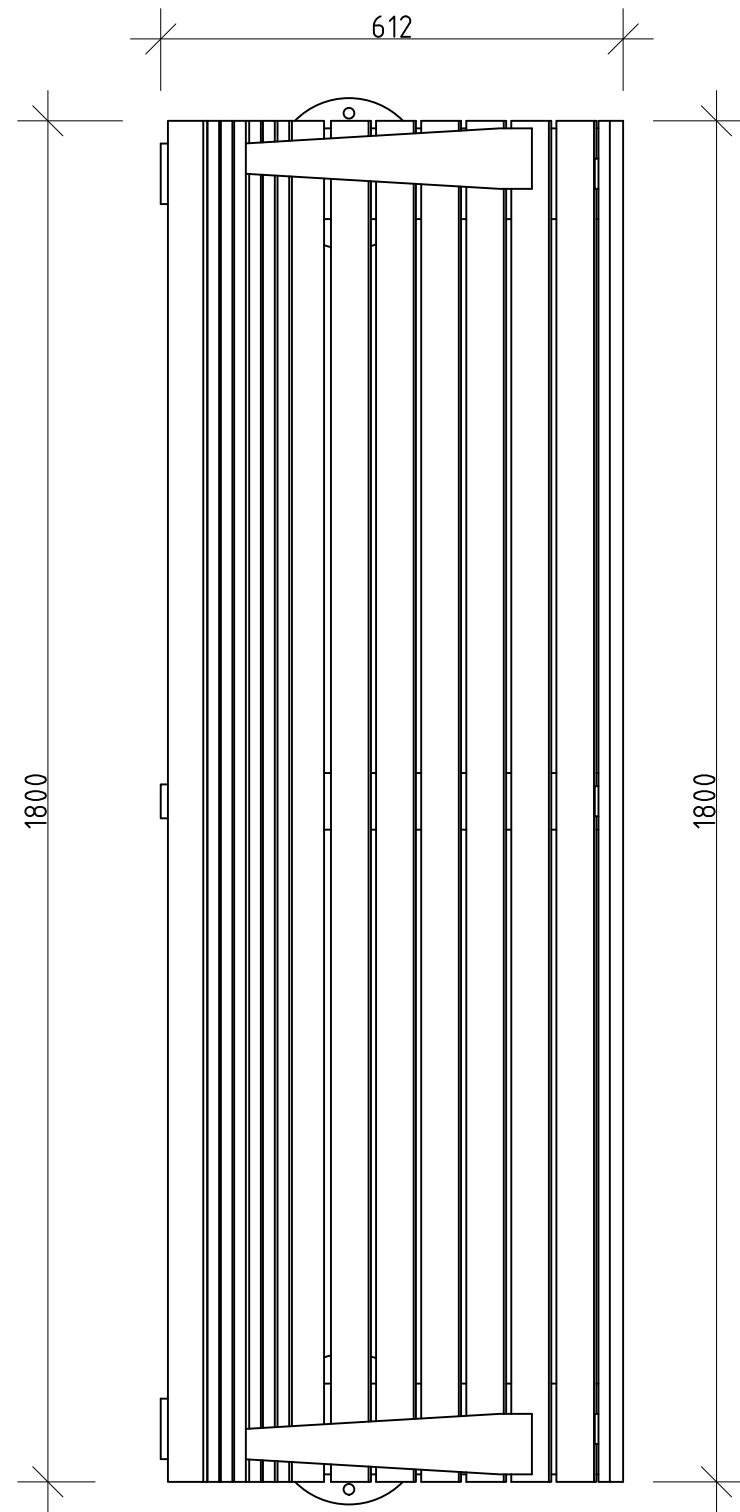


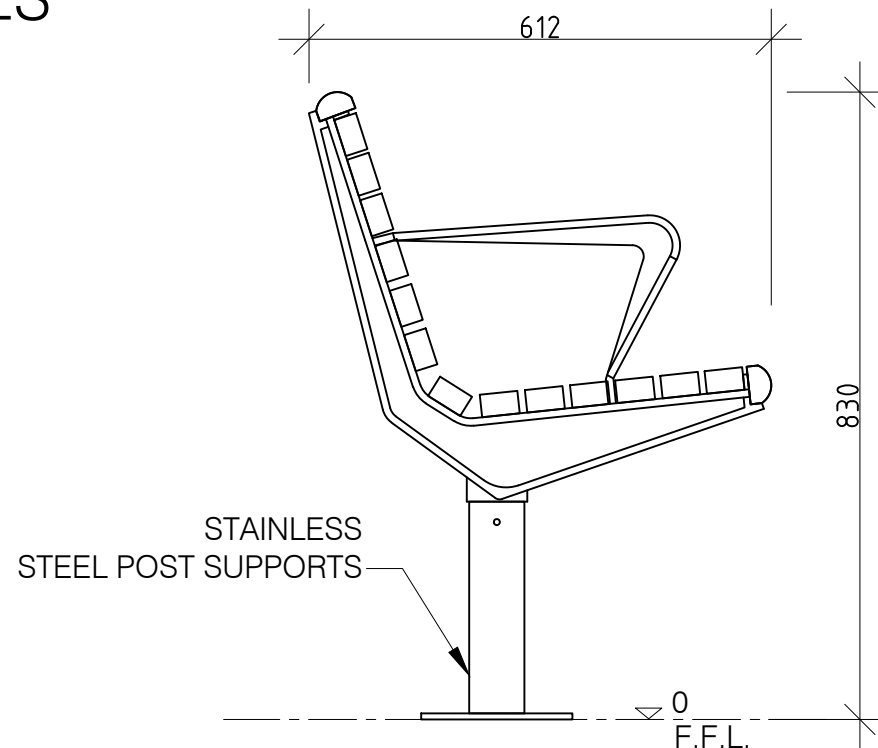
# PROMENADE SETTING SERIES

FFSA002023 1800mm SEAT - BOLT DOWN

ALL DIMENSIONS IN MILLIMETRES - DO NOT SCALE



**1 PLAN**  
1:10 @ A3

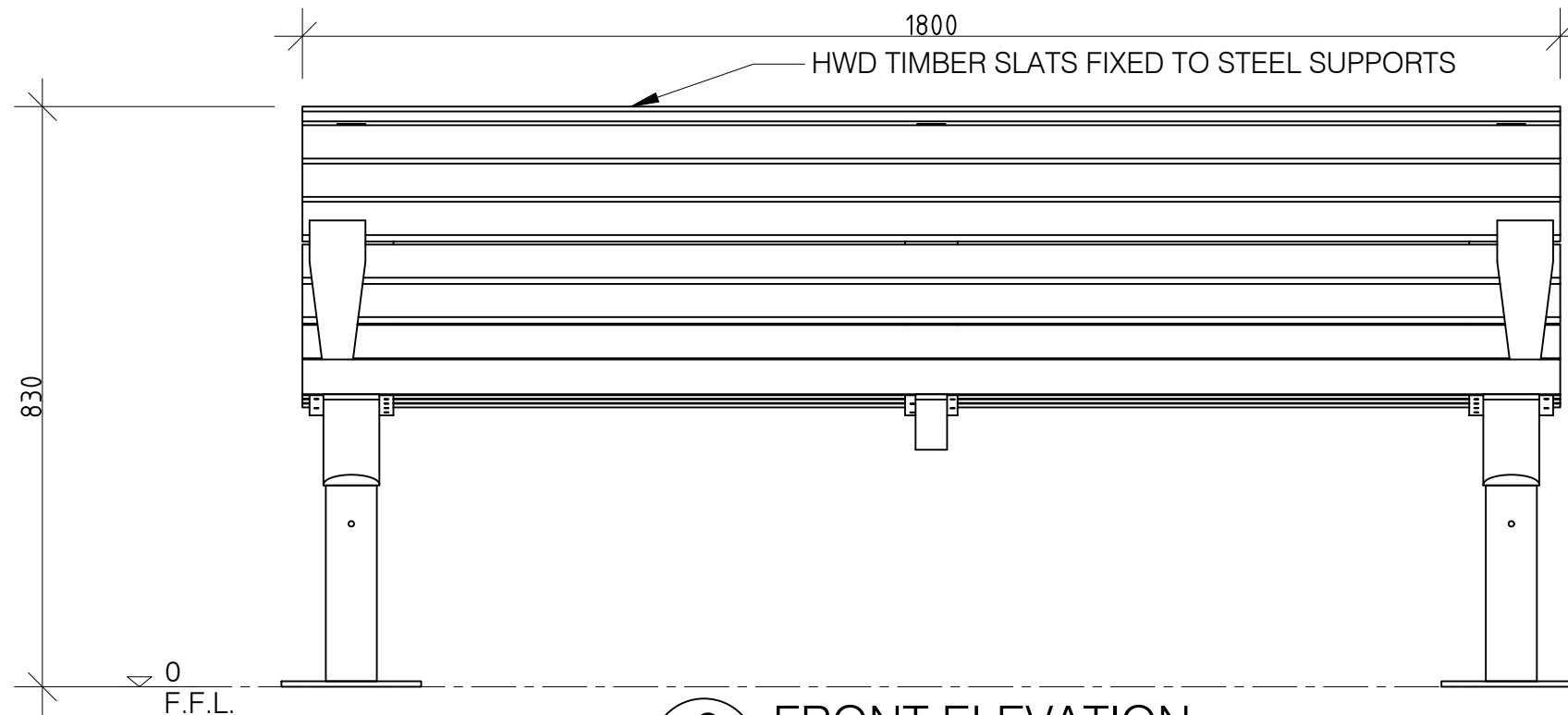


**2 END ELEVATION**  
1:10 @ A3




Slats available in:  
**Hardwood Timber (FFSA002023)**  
**Aluminium (FFSA002023A)**

**4 PERSPECTIVE**  
N.T.S.



**3 FRONT ELEVATION**  
1:10 @ A3

REVISION	DATE:	DRAWN BY:		CLIENT NAME	PROJECT	PROJECT No.	PAGE
6			 <b>FURPHY</b> <small>FOUNDRY EST. 1864</small> © FURPHY FOUNDRY PTY LTD THIS DOCUMENT IS AND SHALL REMAIN THE PROPERTY OF FURPHY FOUNDRY. UNAUTHORISED USE OF THIS DOCUMENT IN ANY FORM IS PROHIBITED.	<b>FURPHY FOUNDRY</b>		<b>FFSA002023</b>	<b>A3</b>
5					<b>PROMENADE SEAT - BOLT DOWN</b>	DATE:	DRAWN
4						17-04-19	PS
3						DRAWING No.	SCALE
2						029	NOTED
1						SHEET No.	REV.
					001	1	

Furphy Foundry Pty Ltd  
 A.B.N. 24 007 195 913  
 21 Drummond Rd,  
 Shepparton VIC 3630  
 PH: (03) 5831 2777  
 FAX: (03) 5831 2681  
 www.furphyfoundry.com.au  
 sales@furphyfoundry.com.au

DRAWING TITLE	PRELIMINARY
---------------	-------------