



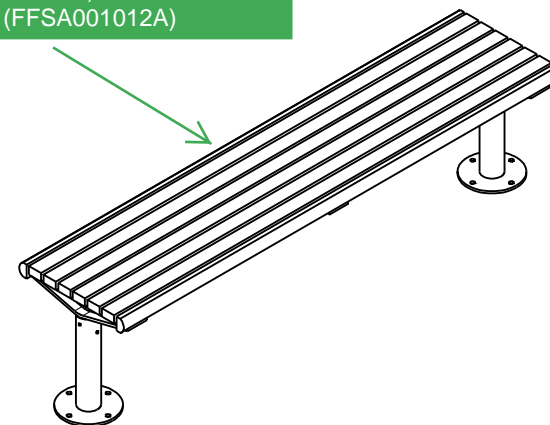
Quality
ISO 9001
SAI GLOBAL

SPECIFICATION:

MATERIAL:

Bench Ends & Centre Support - Recycled Cast Aluminium
 Legs - Stainless Steel
 Slats - Hardwood Timber or Aluminium
 Fixings - Stainless Steel

Slats available in Hardwood Timber (FFSA001012) or Aluminium (FFSA001012A)



DIMENSIONS:

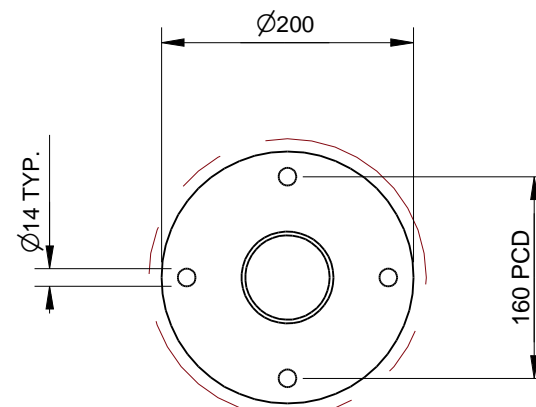
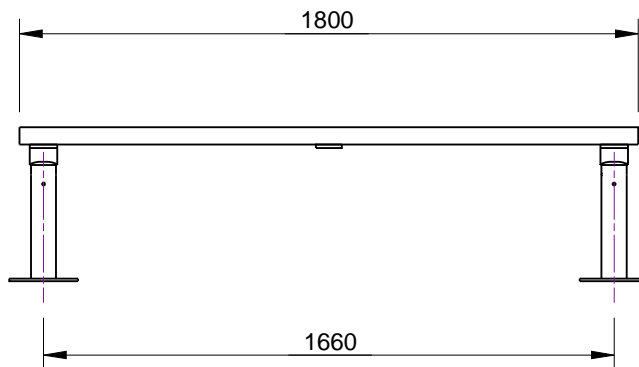
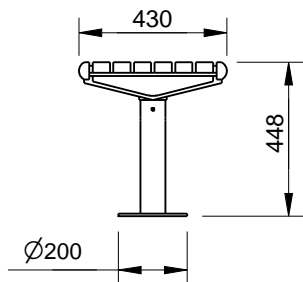
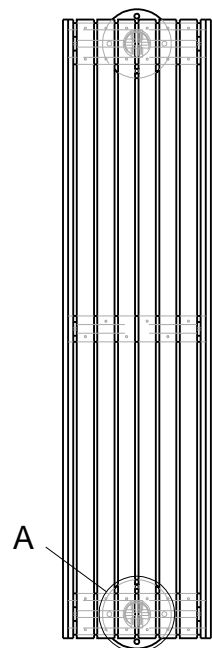
mm unless otherwise stated

FINISH:

Castings - Mill Finish
 Timber - Oil Based

GROUND FIXING:

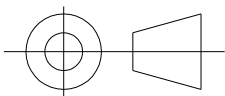
Bolt down



Detail A
 BOLT DOWN DETAIL
 TIMBERS & CASTING
 HIDDEN FOR CLARRITY

© copyright
 CONFIDENTIAL

REVISION #	DESCRIPTION	BY	DATE	DRAWN	DRAWN DATE	CHECKED	CHECKED DATE	SCALE	A4
								N/A	
1	ORIGINAL DRAWING	DN	30.7.10	R.CRIGTON	28.11.13				
2	FULL PRODUCT REVIEW	RBC	28.11.13						
3									
4									
5									



PROMENADE BENCH - BOLT DOWN SPEC.
 FFSA001012 - Timbers slats
 FFSA001012A - Aluminium slats
 REV. 2
 SHEET 1 OF 4