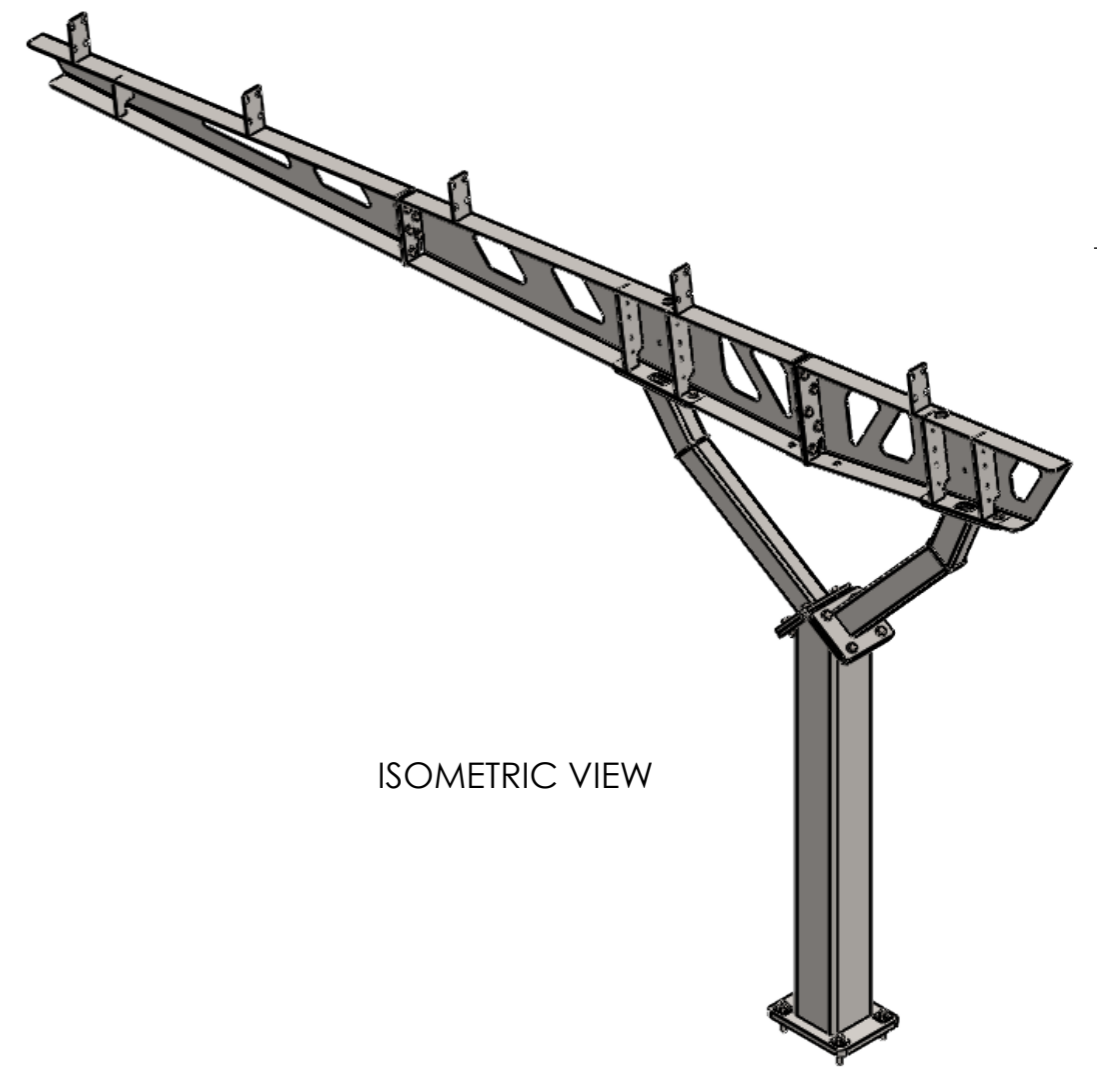


ITEM NO.	PART NUMBER	DESCRIPTION	DRAWING NUMBER	QTY.
1	050 F UPRIGHT POST 8 DEGREE ASSEMBLY	8 DEGREE POST ASSEMBLY	SP 050	1
2	060 YOKE ARM 8 DEGREE ASSEMBLY	8 DEGREE YOKE ARM ASSEMBLY	SP 060	2
3	071 H YOKE WING LEFT ASSEMBLY	H WING LEFT ASSEMBLY	SP 071	1
4	072 HZ YOKE WING RIGHT ASSEMBLY	HZ WING RIGHT ASSEMBLY	SP 072	1
5	075 M WING LEFT ASSEMBLY	M WING LEFT ASSEMBLY	SP 075	1



ISOMETRIC VIEW

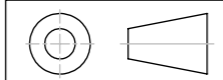
THIS DESIGN AND/OR DRAWING ARE COPYRIGHT BEING THE PROPERTY OF LANDMARK SOLAR STRUCTURES AND SHALL NOT BE COPIED IN FULL OR IN PART NOR LENT OR REPRODUCED WITHOUT WRITTEN AUTHORISATION FROM LANDMARK SOLAR STRUCTURES.



DIMENSIONS ARE IN MILLIMETERS
BREAK ALL SHARP EDGES
DO NOT SCALE
MANUFACTURING TOLERANCES (UNLESS SPECIFIED)
0 = +/-0.5
0.1 = +/-0.1
0.01 = +/-0.02
0.001 = +/-0.001
ANGULAR = +/-0.2°

	NAME	DATE
DRAWN:	VHS	9/03/2020
CHECKED:	MAJ	9/03/2020
APPROVED:	JEM	9/03/2020

Eco Span 01 (Long Side Up)			WEIGHT (EST):	
8 Degree Sub Assembly			DRAWING NO. SS 028	
STEEL GRADE:	SCALE:	REVISION:	SHEET 1 OF 1	
	1:30	R3		



G

G