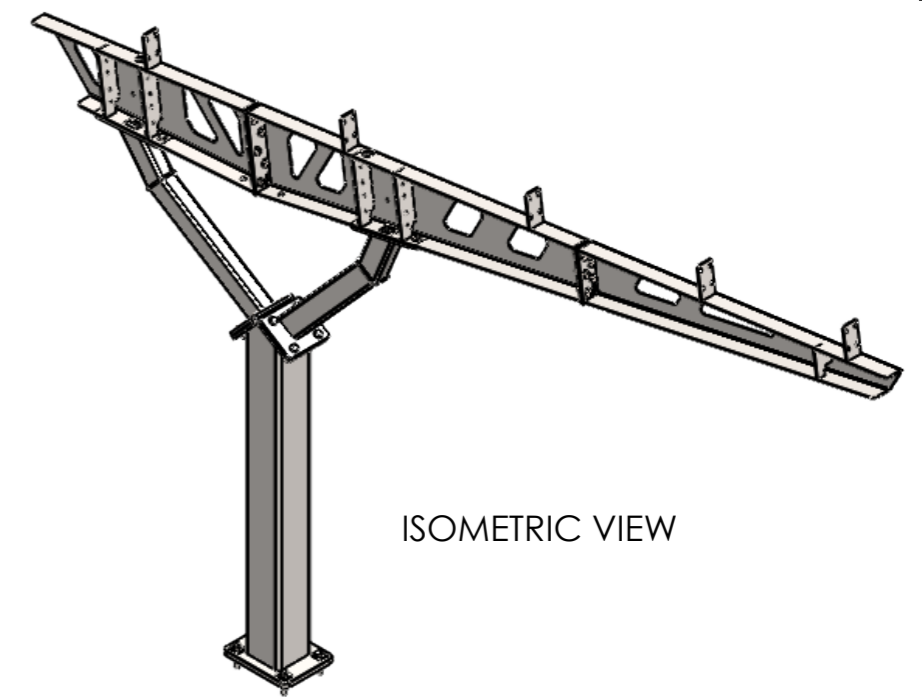


ITEM NO.	PART NUMBER	DESCRIPTION	DRAWING NUMBER	QTY.
1	050 F UPRIGHT POST 8 DEGREE ASSEMBLY	8 DEGREE POST ASSEMBLY	SP 050	1
2	060 YOKE ARM 8 DEGREE ASSEMBLY	8 DEGREE YOKE ARM ASSEMBLY	SP 060	2
3	070 H YOKE WING RIGHT ASSEMBLY	H WING RIGHT ASSEMBLY	SP 070	1
4	073 HZ YOKE WING LEFT ASSEMBLY	HZ WING LEFT ASSEMBLY	SP 073	1
5	074 M WING RIGHT ASSEMBLY	M WING RIGHT ASSEMBLY	SP 074	1



THIS DESIGN AND/OR DRAWING ARE COPYRIGHT BEING THE PROPERTY OF LANDMARK SOLAR STRUCTURES AND SHALL NOT BE COPIED IN FULL OR IN PART NOR LENT OR REPRODUCED WITHOUT WRITTEN AUTHORISATION FROM LANDMARK SOLAR STRUCTURES.



DIMENSIONS ARE IN MILLIMETERS  
BREAK ALL SHARP EDGES  
DO NOT SCALE

MANUFACTURING TOLERANCES  
(UNLESS SPECIFIED)  
0 = +/-0.5  
0.1 = +/-0.1  
0.01 = +/-0.02  
0.001 = +/-0.001  
ANGULAR = +/-0.2°

NAME	VHS	DATE	9/03/2020
DRAWN:			
CHECKED:	MAJ	DATE	9/03/2020
APPROVED:	JEM	DATE	9/03/2020
MATERIAL:	Mild Steel		
COLOUR:	Natural		

<b>Eco Span 01 (Long Side Down)</b>		WEIGHT (EST):	
8 Degree Sub Assembly		SCALE:	REVISION:
STEEL GRADE:	1:30	R3	
SHEET 1 OF 1	DRAWING NO.	SS 027	

