



Park Shelters

DESIGNER SERIES



Stylish. Distinctive. Ready.

landmarkpro.com.au | 1300 768 230

 **Landmark**
open space structures & solutions

BRISBANE | SYDNEY | MELBOURNE | ADELAIDE | PERTH | AUCKLAND



Park Shelters



Stylish. Distinctive. Ready.

**KIT FORM
ENGINEERED**

**SITE-SPECIFIC
SOLUTIONS**

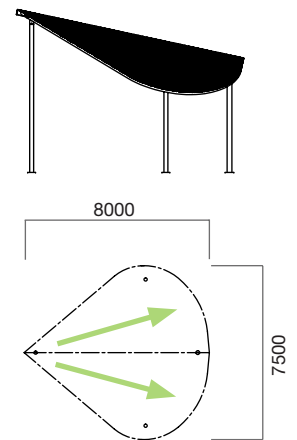
Pre-engineered shelters

DESIGNER SERIES

Open spaces can be transformed into places of function and style, at an affordable price. The design and engineering work is done, so these structures are ready to be delivered and installed quickly.

Designer Leaf

Materials	Finishes	Fixings
<ul style="list-style-type: none"> Hot-dipped galvanised posts and frame Curved Colorbond® XRW or Ultra Grade roofing 	<ul style="list-style-type: none"> Powder coating or two-pack epoxy paint 	<ul style="list-style-type: none"> Stainless steel brackets and fixings (roof screws are galvanised) Bolt-down installation



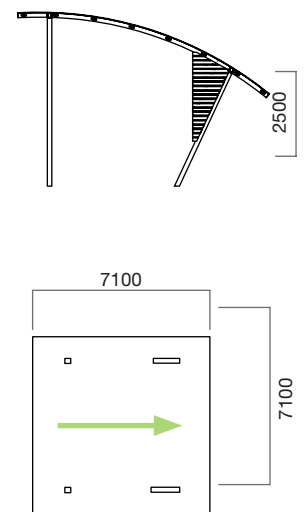
8.0m x 7.5m single (K903)

Other options

- Choice of colours for powder coating, two pack epoxy or thermoplastic coating
- Structural rating upgrades beyond N3 (W41)

Designer Curved Roof

Materials	Finishes	Fixings
<ul style="list-style-type: none"> Hot-dipped galvanised posts & frame Rectangular hollow section steel rafters Hardwood side screens Curved Colorbond® XRW or Ultra Grade roofing 	<ul style="list-style-type: none"> Powder coating or two-pack epoxy paint 	<ul style="list-style-type: none"> Stainless steel brackets and fixings (roof screws are galvanised) Below slab installation



7.1m x 7.1m single (K902)

Other options

- Choice of colours for powder coating, two pack epoxy or thermoplastic coating
- Choice of stain colour for side screens
- Size variations
- Structural rating upgrades beyond N3 (W41)





K682 Designer Burleigh Shelters back-to-back

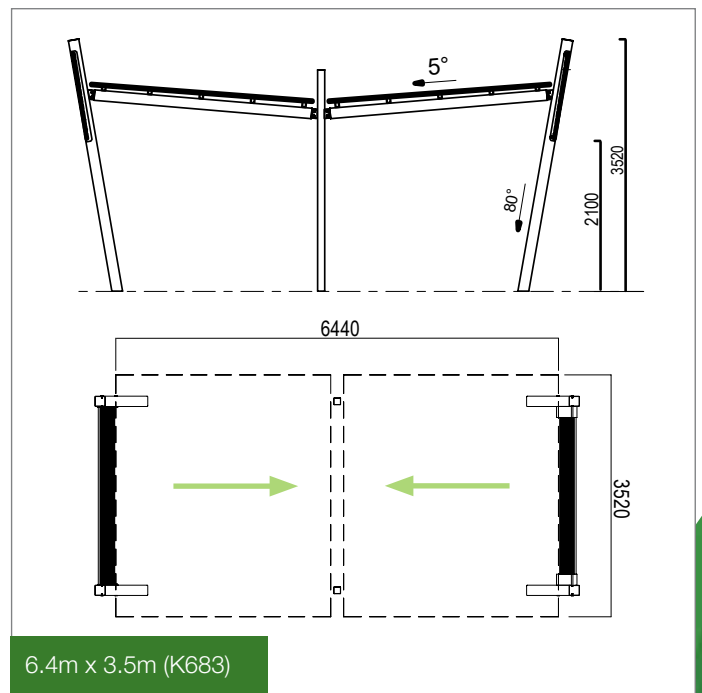
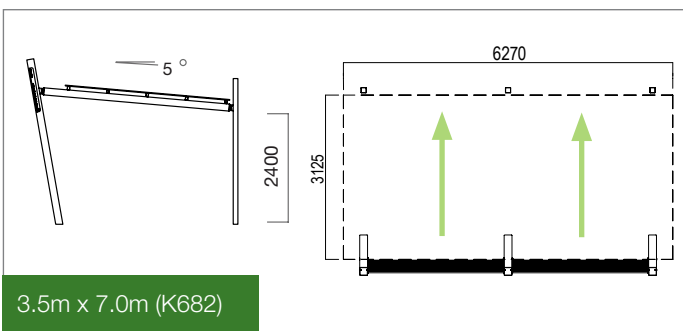
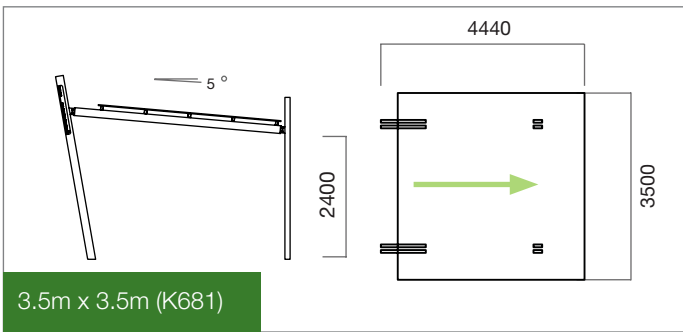
Burleigh

Materials	Finishes	Fixings
<ul style="list-style-type: none"> Hot-dipped galvanised posts and frame Aluminium screen Colorbond® XRW or Ultra Grade roofing 	<ul style="list-style-type: none"> Powder coating or two-pack epoxy paint 	<ul style="list-style-type: none"> Stainless steel brackets and fixings (roof screws are galvanised) Inground installation

- Other options**
- Choice of colours for powder coating or two pack
 - Size variations
 - Structural rating upgrades beyond N3 (W41)



K683 Designer Burleigh Shelters side-by-side

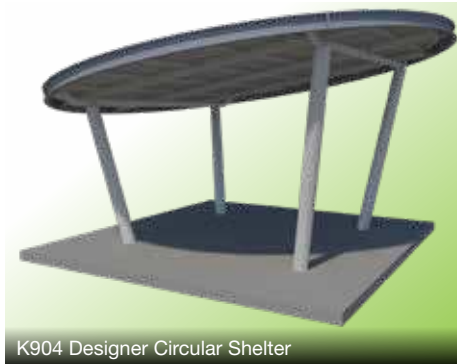


Designer Circular

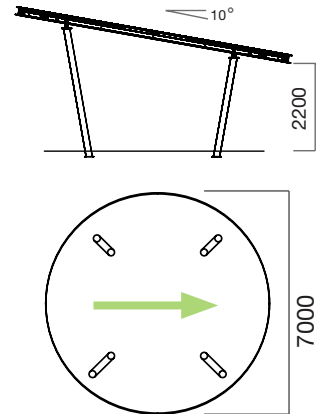
Materials	Finishes	Fixings
<ul style="list-style-type: none"> Hot-dipped galvanised posts and frame Colorbond® XRW or Ultra Grade roofing 	<ul style="list-style-type: none"> Powder coating or two-pack epoxy paint 	<ul style="list-style-type: none"> Stainless steel brackets and fixings (roof screws are galvanised) Bolt below slab installation

Other options

- Choice of colours for powder coating, two pack epoxy or thermoplastic coating
- Structural rating upgrades beyond N3 (W41)



K904 Designer Circular Shelter



7.0m diameter (K904)

Designer Cantilever

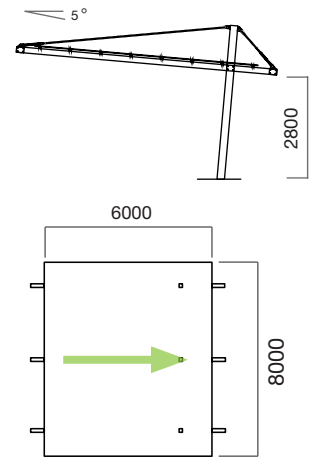
Materials	Finishes	Fixings
<ul style="list-style-type: none"> Hot-dipped galvanised posts and frame Colorbond® XRW or Ultra Grade roofing 	<ul style="list-style-type: none"> Powder coating or two-pack epoxy paint 	<ul style="list-style-type: none"> Hot-dipped galv. rod brace and turnbuckle Stainless steel brackets, fixings (roof screws are galvanised) Bolt below slab installation

Other options

- Choice of colours for powder coating, two pack epoxy or thermoplastic coating
- Structural rating upgrades beyond N3 (W41)



K905 Designer Cantilever shelter



8.0m x 6.0m (K905)

Designer Wave

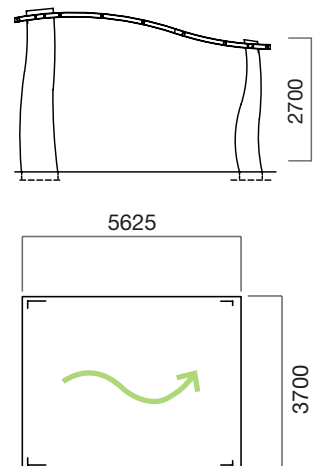
Materials	Finishes	Fixings
<ul style="list-style-type: none"> Fabricated steel post (16mm plate) Colorbond® XRW or Ultra Grade roofing 	<ul style="list-style-type: none"> Powder coating or two-pack epoxy paint 	<ul style="list-style-type: none"> Stainless steel brackets and fixings (roof screws are galvanised) Bolt below slab installation

Other options

- Choice of colours for powder coating, two pack epoxy or thermoplastic coating
- Structural rating upgrades beyond N3 (W41)



K906 Designer Wave shelter



3.7m x 5.6m (K906)